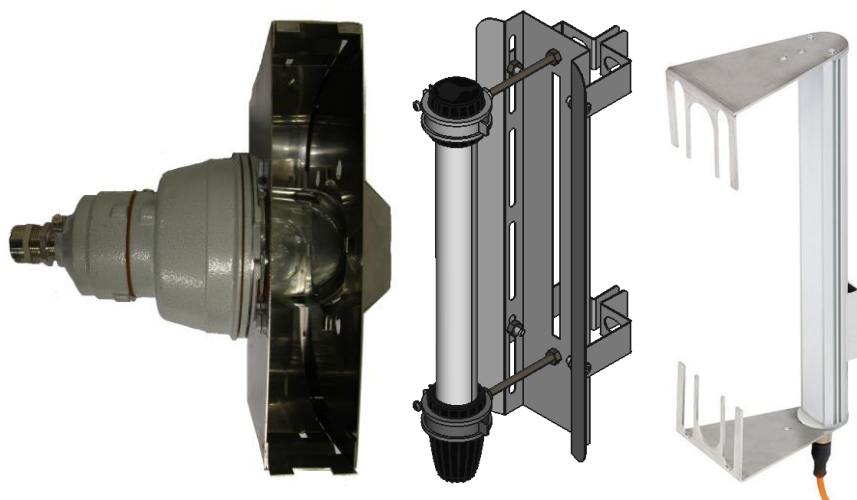


Illumination unit for glass level gauges (LGI)

EN

Beleuchtungseinheit für Glasanzeiger (LGI)

DE



**Illumination unit with LED bulb,
Illumination unit with LED tubular light fitting
Illumination unit with LEDs**

**Beleuchtungseinheit mit LED Leuchtmittel,
Beleuchtungseinheit mit LED Rohrleuchte
Beleuchtungseinheit mit LEDs (v.l.n.r)**

129401.05 / 08/2022 EN/DE

© 2022 WIKA Alexander Wiegand SE & Co. KG
All rights reserved. / Alle Rechte vorbehalten.
WIKA® and KSR® are registered trademarks in various countries.
WIKA® and KSR® sind geschützte Marken in verschiedenen Ländern.

Prior to starting any work, read the operating instructions!
Keep for later use!

Vor Beginn aller Arbeiten Betriebsanleitung lesen!
Zum späteren Gebrauch aufbewahren!

Manufacturer contact
hergestellt von



KSR Kuebler Niveau-Messtechnik GmbH
Heinrich-Kuebler-Platz 1
69439 Zwingenberg am Neckar • Germany
Tel. +49 6263/87-0
Fax +49 6263/87-99
info@ksr-kuebler.com
www.ksr-kuebler.com

Sales contact
Vertrieb durch



WIKAL Alexander Wiegand SE & Co. KG
Alexander-Wiegand-Straße 30
63911 Klingenberg • Germany
Tel. +49 9372 132-0
Fax +49 9372 132-406
info@wika.de
www.wika.de

Contents

1. General information	4
2. Design and function	5
3. Safety	6
4. Transport, packaging and storage	11
5. Commissioning, operation	12
6. Faults	21
7. Maintenance and cleaning	23
8. Dismounting, return and disposal	25
9. Specifications	26

1. General information

- The illumination for glass level gauges described in the operating instructions are designed and manufactured in accordance with the current state-of-the-art. During production, all components are subject to strict quality and environmental criteria. Our management systems are certified in accordance with ISO 9001.
- These operating instructions provide information on how to use the unit. Compliance with all specified safety instructions and work instructions are a prerequisite for working safely.
- Compliance with the local applicable accident prevention regulations and general safety regulations for the area of use of the unit is required.
- The operating instructions are a component of the product and must be kept in the immediate vicinity of the unit where they are accessible to the technicians at all times. Pass on the operating instructions to subsequent users or owners of the unit.
- The technicians must read and understand the operating instructions prior to starting any work.
- The general terms and conditions from the sales documents apply.
- Technical changes reserved.
- Additional information:
 - Internet address: www.ksr-kuebler.com or www.wika.com

2. Design and function

2.1 Functional description

The illumination units are used to better recognize gaseous and liquid phases on glass level gauges.

Depending on the type, the illumination unit model can be used for transparent or refraction gauges:

Type	Description	Functional principle glass gauge	
		transparent	refraction
LGI-L	Illumination unit with LEDs	x	
LGI-RDT	Illumination unit with LED tubular light fitting	x	
LGI-RDM	Illumination unit with LED tubular light fitting		x
LGI-LD	Illumination unit with LED light bulb	x	

2.1.1 Illumination unit with LEDs (LGI-L)

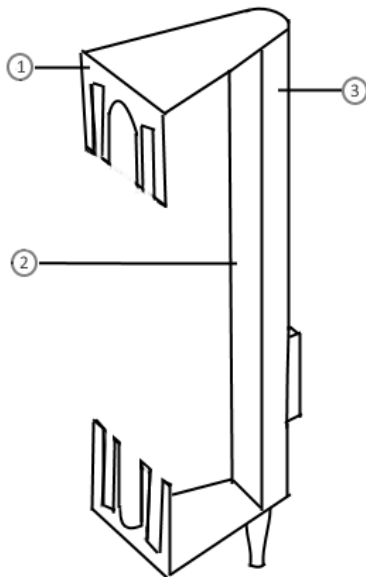


Figure 1: Illumination unit with LED

- 1) Lamp bracket
- 2) Light emitting surface
- 3) Aluminium housing

2.1.2 Illumination unit with LED tubular lighting (LGI-RDT)

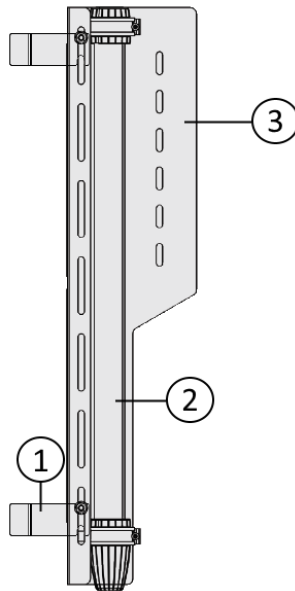


Figure 2: Illumination unit LGI-RDT

- 1) Mounting bracket
- 2) Lamp
- 3) Protection shield

2.1.3 Illumination unit with LED tubular fitting (LGI-RDM)

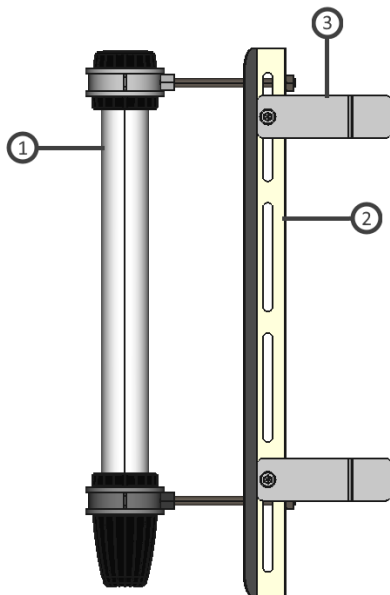


Figure 3: Illumination unit LGI-RDM

- 1) Lamp
- 2) Heat protection shield
- 3) Mounting bracket

2.1.4 Illumination unit with LED light bulb (LGI-LD)

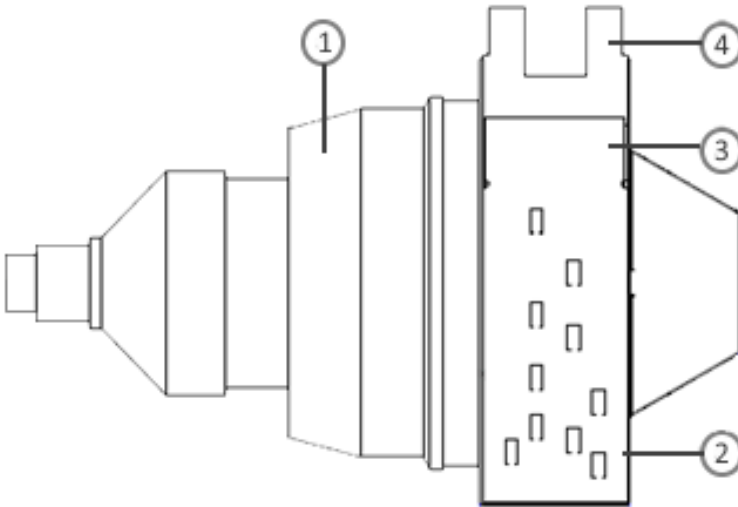


Figure 4: Illumination unit with LED light bulb

- 1) Bulb casing
- 2) Light guide box
- 3) Vent opening
- 4) Lamp mount

2.2 Scope of delivery

Compare the contents of the delivery with the delivery note.

3. Safety

3.1 Symbols



DANGER!

... indicates an immediately hazardous situation which might result in death or severe injuries if it is not avoided.



WARNING!

... indicates a potentially hazardous situation which might result in death or severe injuries if it is not avoided.



CAUTION!

... indicates a potentially hazardous situation which might result in light or minor injuries or property or environmental damages if it is not avoided.



INFORMATION

... highlights useful tips and recommendations and information for efficient and fault-free operation.



Information for Ex equipment

... highlights information relevant and/or required for use in hazardous area

3.2 Proper intended use

The illumination systems are intended exclusively for lighting transparent or refractive level gauges.



Information for Ex equipment

The LED lamp CORTEM EV... of the illumination LGI-LD and the tubular lamp 6036... of the illumination unit LGI-RD for use as explosion-protected equipment within the scope of application defined by EU directive 2014/34/EU in hazardous areas. They comply with the specifications regulating use of electrical equipment in hazardous areas.

LGI-LD

ATEX approval is only valid for the lamp CORTEM EV....

Cortem EV-series

CESI 12 ATEX 006

Ex-Kennzeichnung:

Ex db IIC T6 to T3 Gb

Ex tb IIIC T54°C to T185°C Db

IP66

IECEX CES 07.0004

Ex-Kennzeichnung:

Ex db IIC T6 to T3 Gb

Ex db eb IIC T6 to T3 Gb

Ex tb IIIC T54°C to T185°C Db

Please find the information about the ATEX approval in the ATEX certificate and operation instruction for LED lighting fixtures series EV... (manufacturer CORTEM).

LGI-RDM / LGI-RDT

ATEX approval is only valid for lamp series 6036.

LED Tubular light fitting series 6036

EPS 13 ATEX 1 597

II 2G Ex db op is IIC T6/T4 Gb

II 2D Ex tb IIIC T80°C/T100°C Db

I M2 Ex db op is I Mb

IECEX EPS 13.0027

Ex db op is IIC T6/T4 Gb

Ex tb IIIC T80°C/T100°C Db

Please find the information about the ATEX approval in the ATEX certificate and operation instruction for LED lighting fixtures series 6036... (manufacturer R. Stahl).



Information for Ex equipment

Danger, risk of explosion!

An explosive atmosphere may occur in the vicinity of a vessel. Measures must be taken to prevent sparking. Work in such areas must be done by qualified personnel in accordance with the relevant safety regulations and guidelines.

3.3 Improper use

Any use that exceeds the technical performance thresholds or that is incompatible with the materials is considered improper use.



WARNING!

Injury due to improper use

Improper use of the unit can result in hazardous situations and injuries.

- Do not modify the unit without authorization

Any use beyond the proper intended use or any other use is considered improper use.

Do not use this unit in safety or emergency off equipment.

3.4 Responsibility of the operator

The unit is used in the industrial sector. The operator is therefore subject to statutory obligations with respect to occupational safety.

Compliance with the safety instructions in these operating instructions and the applicable safety, accident prevention and environmental protection regulations for the area of use of the unit is required.

In order to safely work on the unit, the operator must ensure

- the operating personnel is regularly trained in all matters pertaining to occupational safety, first aid and environmental conservation and is familiar with the operating instructions and, in particular, the safety instructions contained therein
- the unit is suitable for the application in accordance with the proper intended use (check for improper use).

After check, improper use is excluded.

3.5 Personnel qualification



WARNING!

Risk of injury due to insufficient qualifications

Improper use can result in significant personal injury and property damages.

- The activities described in these operating instructions may only be performed by specialist technicians with the following qualifications.

Specialist personnel

The specialist personnel authorized by the operator is capable of executing the described work and autonomously detect potential hazards due their technical training, knowledge of measuring and control technology and their experience and knowledge of country-specific regulations, applicable standards and guidelines.

3.6 Personal safety equipment

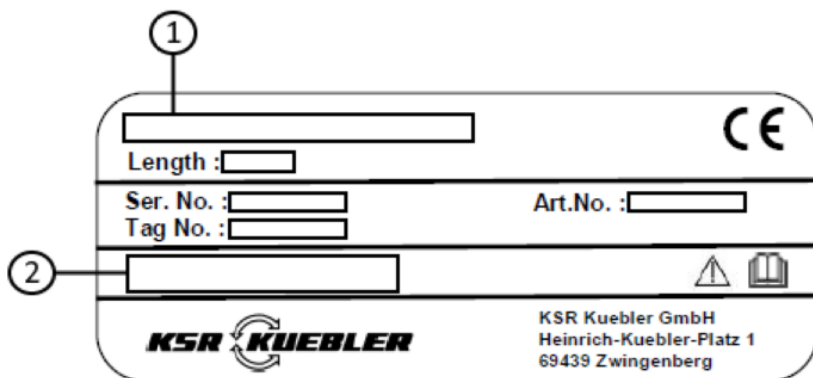
The personal safety equipment serves to protect the technicians against hazards that might impact the safety or health while working. When executing the various tasks on and with the unit, the technicians must wear personal safety equipment.

Comply with warning signs posted in the work area regarding personal safety equipment!

The required personal safety equipment must be provided by the operator.

3.7 Signs, safety markings

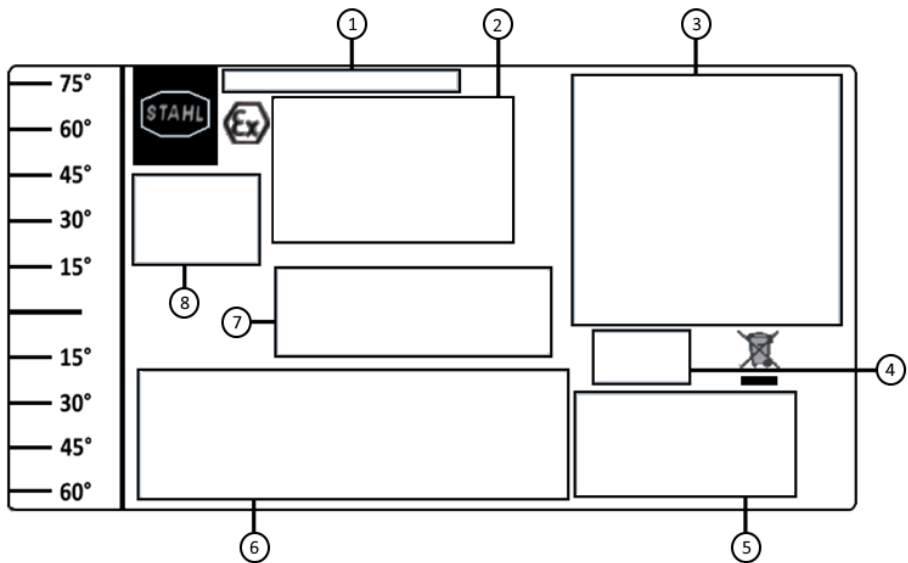
3.7.1 Illumination unit with LEDs (LGI-L)



- 1) Type
- 2) Technical data (Ingress protection, power supply, protection categorie)

3.7.2 Illumination unit with LED tubular lighting (LGI-RDM / LGI-RDT)

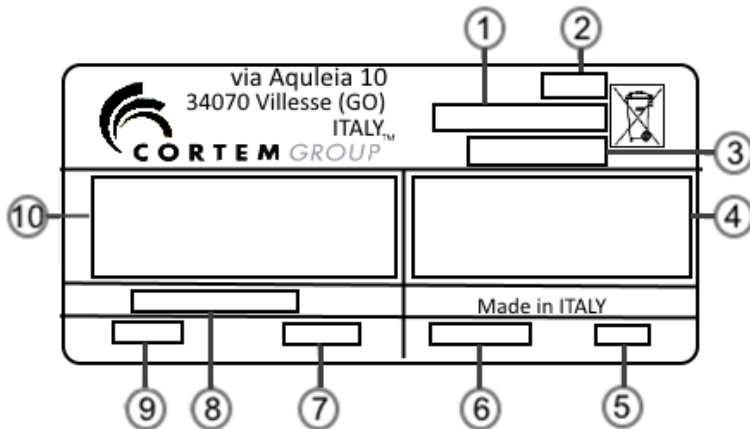
Please note the type plate of the manufacturer lamp series 6036 (manufacturer R. Stahl). The type plate is located on the lamp.



- 1) Designation of the lamp
- 2) ATEX and IECEx approval classification
- 3) Notes from the manufacturer
- 4) Protection class and marine approval
- 5) Barcode
- 6) Notes from the customer
- 7) Technical data
- 8) Information about the manufacturer

3.7.3 Illumination unit with LED light bulb (LGI-LD)

When using the illumination unit with a LED bulb, the manufacturer's (CORTEM) type plate must be observed:



- 1) Year of manufacture
- 2) Serial number
- 3) Name of the illumination used
- 4) IECEx approval classification
- 5) Electrical Power
- 6) Colour reproduction
- 7) Frequency
- 8) Operating voltage
- 9) Temperature range
- 10) ATEX approval classification

Symbols



Prior to assembly and commissioning of the unit, you must read the operating instructions!

4. Transport, packaging and storage

4.1 Transport

Check the illumination system for potential transport damage. Immediately report obvious damage.



CAUTION!

Damage due to improper transport

Improper transport can result in significant property damages.

- When unloading packages upon delivery and for internal facility transport, proceed carefully and comply with the symbols on the packaging.
- For internal facility transport, follow the instructions in Chapter 4.2 “Packaging and storage”

4.2 Transport and storage

Remove packaging immediately prior to assembly. Keep the packaging as it provides optimum protection during transport (e.g. changing installation location, repair shipment).

5. Commissioning, operation

- Comply with all of the instructions on the packaging pertaining to removing the transport locks.
- Remove the illumination system from the packaging carefully!
- When unpacking, check all parts for external damage.
- Functional test before assembly



Information for Ex equipment

Functional tests must only be carried out with equipment that is approved for use in hazardous area. Tests must be conducted by qualified personnel in accordance with the relevant safety regulations and guidelines

5.1 Mounting



Please note the manufacturer specifications of the illumination units.

5.1.1 Illumination unit with LEDs (LGI-L)



The illumination unit can be installed by the two upper and lower screws of the glass level gauge.

The mounting bracket must be hooked in the screws. By the supplied nut the illumination can be fixed. It should take care, that the upper end of the illumination and the upper edge of the glass gauge cover are at the same high.

Figure 5: LGG-T with LGI-L

5.1.2 Illumination unit with LED tubular lighting (LGI-RDT)

Mount the unassembled mounting brackets to the glass level gauge using an additional nut (also supplied loose).


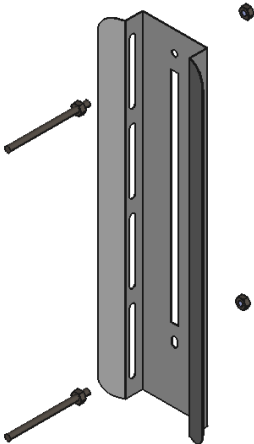
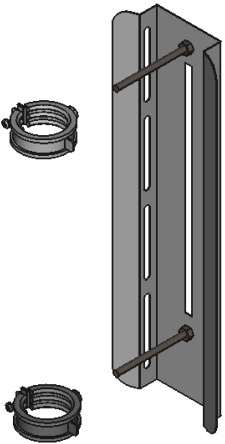
On the illumination unit are already fastened bolts. The mounting brackets should be aligned according to the position of these bolts, so that the illuminated area is centred to the visible area.

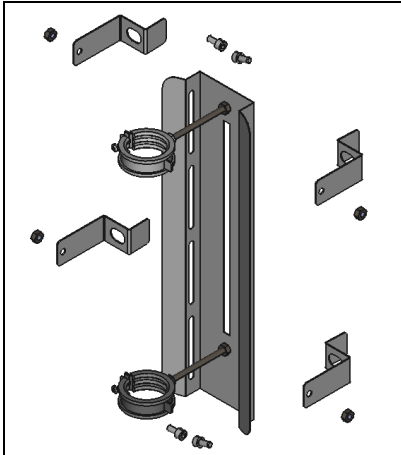
Loosen the outer nut of the illumination unit approx. 10mm. Now place the illumination unit with the bolts into the bracket and retighten the outer nuts again.

5.1.3 Illumination unit with LED tubular lighting (LGI-RDM)

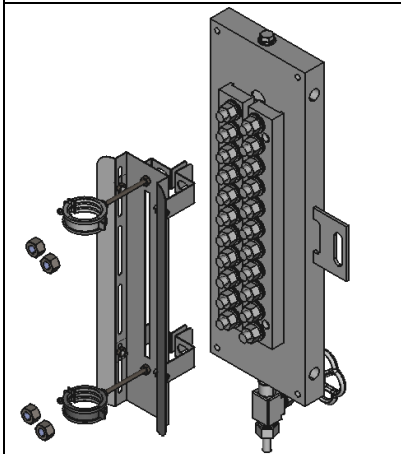
The illumination unit is delivered in individual parts.

The assembly steps are described below.

	<p>Preparation of the threaded bolts. A nut is turned approx. 12mm onto each of the two threaded bolts.</p>
	<p>The two prepared bolts are inserted with the longer side into the holes of the heat protection shield and locked with another nut. Please tighten the nuts hand-tight with an open-end spanner SW13.</p>
	<p>The clamps are screwed onto the threaded bolts. Please make sure that the clamps are aligned parallel to each other.</p>

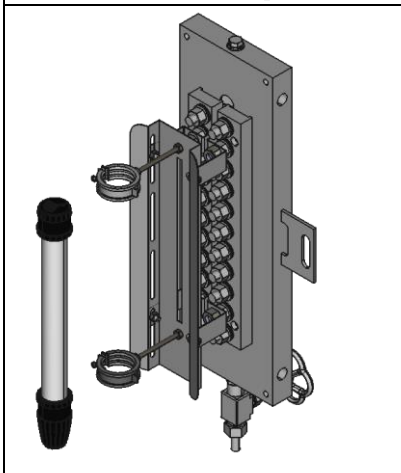


The mounting brackets are attached to the heat protection shield with a screw and nut each.



The illumination unit is attached to the glass level indicator. The mounting brackets are placed on the screws of the glass indicator and fixed with the nuts supplied. The nuts are hand-tightened.

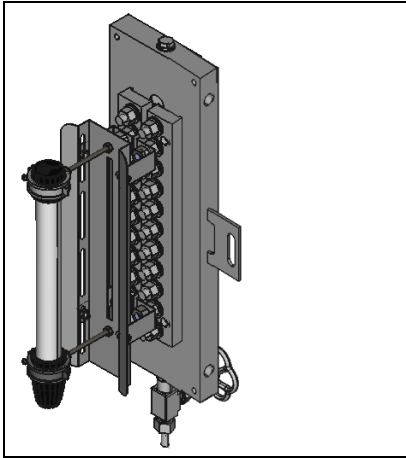
Please ensure that the light slit of the heat plate is centred on the visible length of the glass level indicator.



The last step is to hook the lamp into the tension clamps. The clamps are attached to the groove of the black end pieces at the top and bottom.

Angle information can be found on the type plate of the lamp. Please make sure that the 0° mark points is placed in the opposite direction of the glass indicator.

Hand-tighten the screws of the clamps using a screwdriver (size PH2).

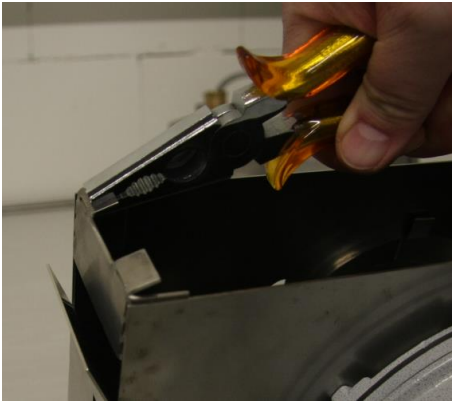


The assembly is finished.

5.1.4 Illumination unit with LED light bulb (LGI-LD)



The illumination unit with LED light bulb is mounted using the mounting angle installed on the glass gauge.



The illumination unit can be installed with the bulb casing to the right and left from the perspective of the viewing direction. Both of the arms on the mount on the upper side of the light box must be bent approx. 60°C using a pair of pliers.



The mount on the other side of the glass gauge is not bent.



Now, the bent side of the light guide box can be hung on the corresponding mounting bracket.



The lower (unbent) mount is pushed in below the mounting bracket installed on the glass gauge and acts as a spacer for the light box.



The vents must be not closed or covered.

5.2 Electrical connection

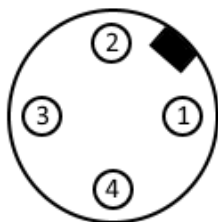


The electrical connection must be established in accordance with the application construction regulations in the country of installation and may only be performed by specialist personnel.

LGG-L / LGG-LD: Make sure to select the correct cable, which must be suitable for the intended area of use (temperature, weather impacts, aggressive atmosphere, etc.).

5.2.1 Illumination unit with LEDs (LGI-L)

The electrical connection of the LED lighting is made by means of an M12 plug connector.



Pin assignment of the connector:

1 = +

3 = -

Rated voltage	DC 24V
Rated current	200mA/m
Recommended mains connection cable diameter	0.25mm ²

5.2.2 Illumination unit with LED tube lighting (LGI-RDM / LGI-RDT)

The electrical connection of the illumination unit must be made in accordance with the manufacturer's operating instructions (6036 series; R. Stahl).

5.2.3 Illumination unit with LED light bulb (LGI-LD)

The electrical connection of the illumination unit must be made in accordance with the manufacturer's operating instructions (EV...series; COR-TEM).

6. Faults

Malfunction	Possible causes	Measure
Electrical fault	Damaged cables	Electrical specialist; KSR Kuebler
	Cable break	
	Electrical components defective	
	Illuminant malfunction	
Mechanical fault	Wear	KSR Kuebler
	Malfunction	
	Incorrect operation	
	Mechanical damage	



CAUTION!

Bodily injuries, property and environmental damages

If faults cannot be rectified with the help of the listed measures, immediately shut the unit off.

- Ensure the pressure is switched off and secure the unit against unintentionally being switched on.
- Contact the manufacturer.
- If return shipment is necessary, follow the instructions in Chapter 8.2 “Return Shipment”.

7. Maintenance and cleaning

7.1 Maintenance



WARNING!

When rectifying faults and during maintenance and repairs, securely shut off the illumination system by switching off the on/off switch.

Observe the warnings and security manifestations.

Work may only be performed using suitable personal safety equipment.



NOTICE

Perfect functioning of illumination systems can only be guaranteed if original KSR Kuebler accessories and spare parts are used.

8. Dismounting, return and disposal

8.1 Disassembly

Only disassemble the illumination unit when it has been disconnected from the voltage!

8.2 Return shipment

Use the original packaging or suitable transport packing for the return shipment of the unit.



Instructions for return shipment can be found in the “Service” section on our local website.

8.3 Disposal

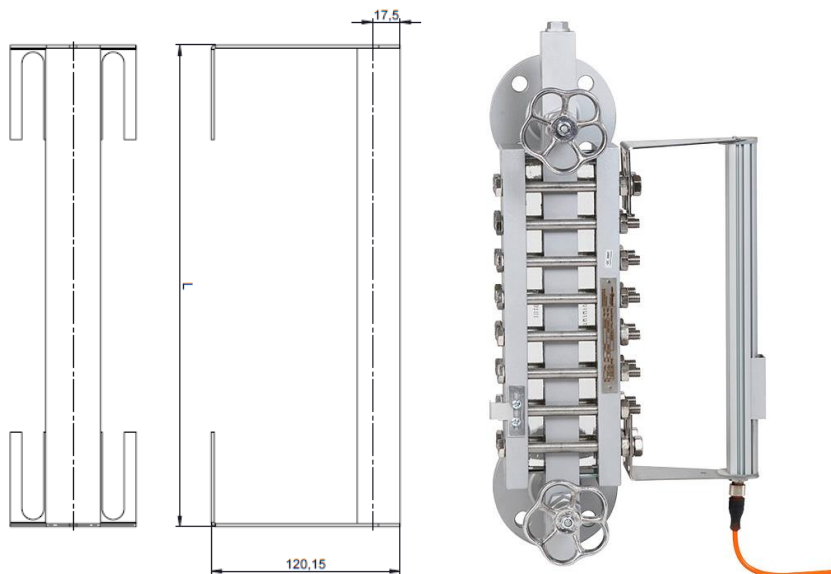
Incorrect disposal can result in risks to the environment.

Dispose of unit components and packaging materials in an environmentally compatible manner in accordance with the country-specific waste management and disposal regulations.

9. Specifications

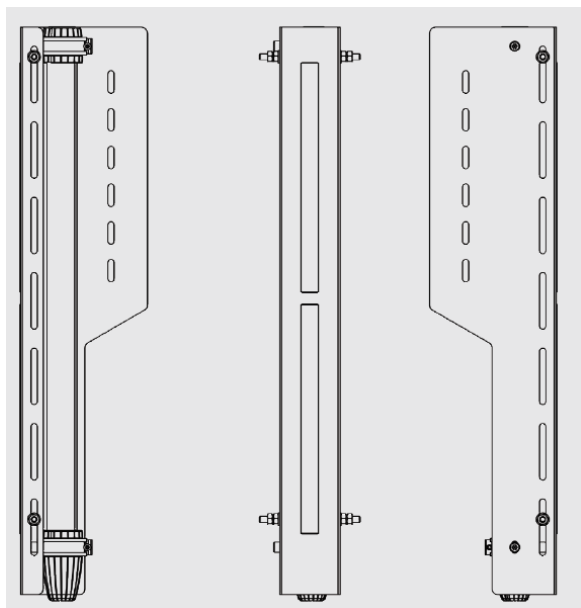
9.1 Technical data

9.1.1 Illumination unit with LEDs (LGI-L)



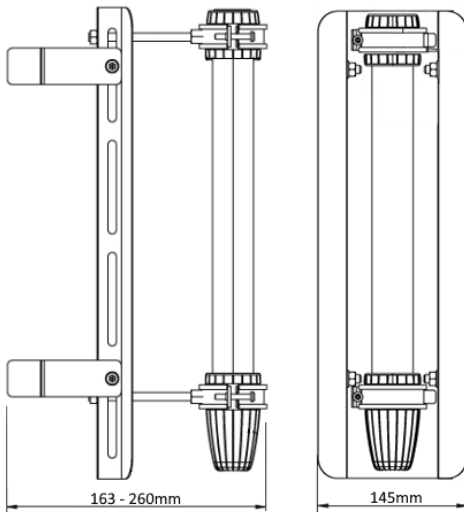
Description		Illumination unit with LED
Dimensions of the illumination	Length:	Depends on the visible length (VL) of the glass level gauge
	Width:	35mm
	Depth:	120mm
	Weight:	length-dependent
Illuminant used:		LumiFlex Economy 35
Operating voltage:		DC 24V
Operating current:		length-dependent

9.1.2 Illumination unit with tube lighting (LGI-RDT)



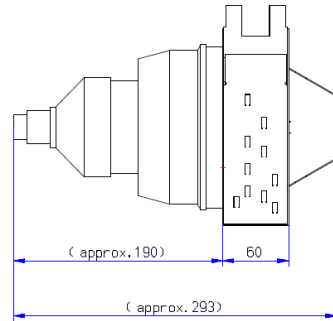
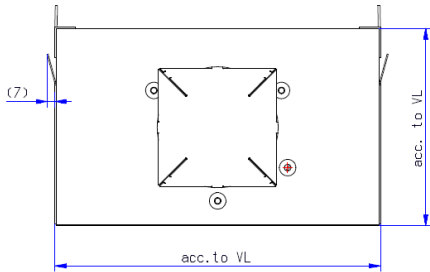
		Illumination unit with LED tubular lighting
Dimensions	Length:	Depends on the visible length (VL) of the glass gauge
	Width:	80 mm
	Depth:	168 mm
	Weight:	length-dependent
Used lamp		LED tubular light fitting – Series 6036
Operating voltage		Size A: AC 110 - 240V / DC 110 – 240V Size B / C / D: AC 220V - 240V / DC 209 – 240V
Operating current		length-dependent

9.1.3 Illumination unit with tube lighting (LGI-RDM)



		Illumination unit with LED tubular light fitting
Dimensions	Length:	Depends on the visible length (VL) of the glass gauge
	Width:	145mm
	Depth:	163 – 260mm (depending on connection between lamp and heat protection)
	Weight:	length-dependent
Used lamp		LED tubular light fitting – Series 6036
Operating voltage		AC 220 - 240V // DC 209 – 240V
Operating current		length-dependent

9.1.4 Illumination unit with LED light bulb (LGI-LD)



		Illumination unit with LED light bulb CORTEM EVA-5050
Light guide box	Length:	Depends on the visible length (VL) of the glass gauge
	Width:	293mm
	Depth:	180mm (VL = up to 400mm) 300mm (VL = greater than 400mm)
	Weight:	length-dependent
Illuminant used		Cortem - LampLED 8 W
Operating voltage		AC 230V
Operating current		35mA

9.2 Operating limits

9.2.1 Illumination unit with LEDs (LGI-L)

- Ambient air temperature: $T = -40 \dots 85^{\circ}\text{C}$
- Ambient humidity: 10...80% (operation only when there is no condensation or ice)

9.2.2 Illumination unit with LED tube lighting (LGI-RDM / LGI-RDT)

Please refer with the manufacturer's operation instruction (R. Stahl; series 6036).

9.2.3 Illumination unit with LED light bulb (LGI-LD)

Please refer with the manufacturer's operation instruction (CORTEM: EV series).

Detailed information about the various illumination units can be found separately in the following data sheet:

- Beleuchtung für Schauglasanzeiger; Typ LGI; siehe Datenblatt LGI
- CORTEM – EV series
- R. Stahl – Series 6036

9.3 Type overview

Illumination type	Description	Certification	
		without	with Ex d
LGI-L	Illumination unit with LEDs	x	
LGI-RDT / LGI-RDM	Illumination unit with tubular light fitting		x
LGI-LD	Illumination unit with LED light bulb		x

9.4 Replacement parts

9.4.1 Illumination unit with LEDs (LGI-L)

No replacement parts

9.4.2 Illumination unit with tubular light fitting (LGI-RDT / LGI-RDM)

No replacement parts

9.4.3 Illumination unit with LED light bulb

LED light bulb: Cortem LampLED 8 W

The LED light bulb (LGI-LD) must be replaced in accordance with the operation instructions from the manufacturer CORTEM (EV series).

Inhalt

1. Allgemeines	29
2. Aufbau und Funktion	30
3. Sicherheit	31
4. Transport, Verpackung und Lagerung	36
5. Inbetriebnahme, Betrieb	37
6. Störungen	45
7. Wartung und Reinigung	47
8. Demontage, Rücksendung und Entsorgung	49
9. Technische Daten	50

1. Allgemeines

- Die in der Betriebsanleitung beschriebenen Beleuchtungssysteme für Schauglasanzeiger werden nach dem aktuellen Stand der Technik konstruiert und gefertigt. Alle Komponenten unterliegen während der Fertigung strengen Qualitäts- und Umweltkriterien. Unsere Managementsysteme sind nach ISO 9001 zertifiziert.
- Diese Betriebsanleitung gibt wichtige Hinweise zum Umgang mit dem Gerät. Voraussetzung für sicheres Arbeiten ist die Einhaltung aller angegebenen Sicherheitshinweise und Handlungsanweisungen.
- Die für den Einsatzbereich des Gerätes geltenden örtlichen Unfallverhütungsvorschriften und allgemeinen Sicherheitsbestimmungen einhalten.
- Die Betriebsanleitung ist Produktbestandteil und muss in unmittelbarer Nähe des Gerätes für das Fachpersonal jederzeit zugänglich aufbewahrt werden. Betriebsanleitung an nachfolgende Benutzer oder Besitzer des Gerätes weitergeben.
- Das Fachpersonal muss die Betriebsanleitung vor Beginn aller Arbeiten sorgfältig durchgelesen und verstanden haben.
- Es gelten die allgemeinen Geschäftsbedingungen in den Verkaufsunterlagen.
- Technische Änderungen vorbehalten.
- Weitere Informationen:
- Internet-Adresse: www.ksr-kuebler.com oder www.wika.de

2. Aufbau und Funktion

2.1 Funktionsbeschreibungen

Die Beleuchtungseinheiten dienen dazu, eine bessere Erkennbarkeit von Flüssig- und Gasphase bei Glasanzeigern zu gewährleisten.

Je nach Typ können die Beleuchtungseinheiten für Transparent- oder Refraktionsanzeiger verwendet werden:

Typ	Beschreibung	Funktionsprinzip Glasanzeiger	
		Transparent	Refraktion
LGI-L	Beleuchtungseinheit mit LEDs	x	
LGI-RDT	Beleuchtungseinheit Rohrleuchte mit LEDs	x	
LGI-RDM	Beleuchtungseinheit Rohrleuchte mit LEDs		x
LGI-LD	Beleuchtungseinheit mit LED-Leuchtmittel	x	

2.1.1 Beleuchtungseinheit mit LEDs (LGI-L)

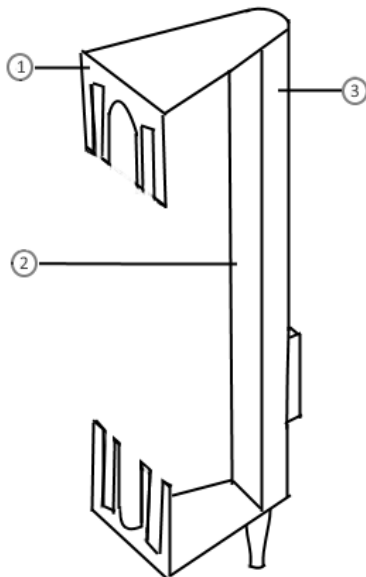


Abbildung 1: Beleuchtungseinheit mit LEDs

- 1) Halterung der Beleuchtung
- 2) Lichtaustrittsfläche
- 3) Aluminium-Gehäuse

2.1.2 Beleuchtungseinheit mit LED Rohrleuchte (LGI-RDT)

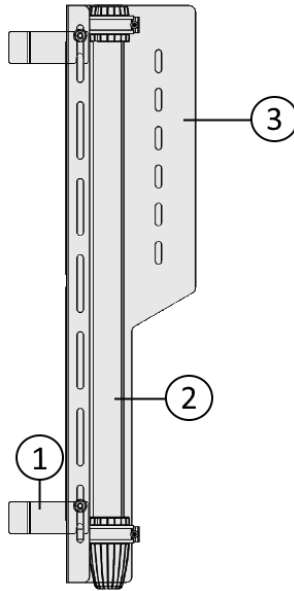


Abbildung 2: Beleuchtungseinheit LGI-RDT

- 1) Halter
- 2) Leuchte
- 3) Schutzblech

2.1.3 Beleuchtungseinheit mit LED Rohrleuchte (LGI-RDM)

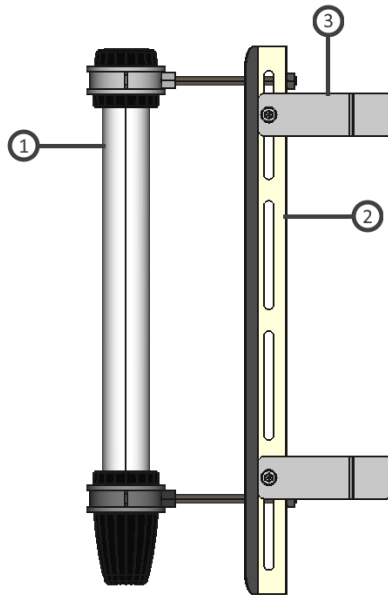


Abbildung 3: Beleuchtungseinheit LGI-RDM

- 1) Leuchte
- 2) Hitzeschutzblech
- 3) Halterung

2.1.4 Beleuchtungseinheit mit LED-Leuchtmittel (LGI-LD)

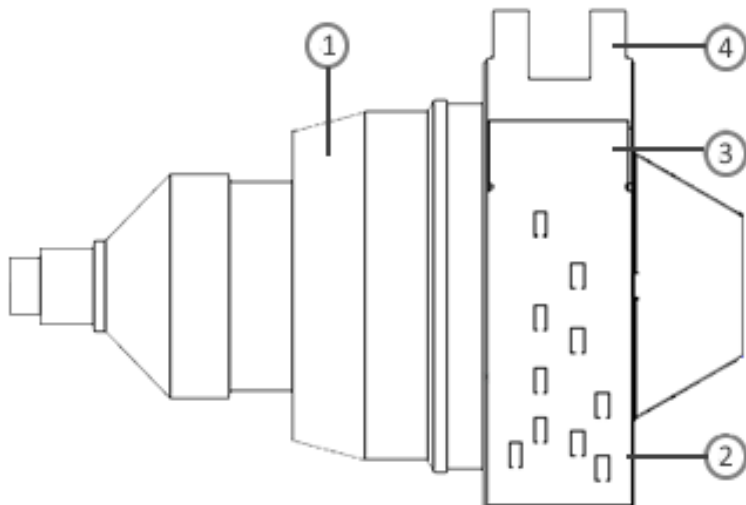


Abbildung 4: Gehäuse LED Leuchtmittel

- 1) Gehäuse des Leuchtmittels
- 2) Lichtleitkasten
- 3) Belüftungsspalt
- 4) Halterung des Lichtleitkastens

2.2 Lieferumfang

Lieferumfang mit dem Lieferschein abgleichen.

3. Sicherheit

3.1 Symbolerklärung



GEFAHR!

... weist auf eine unmittelbar gefährliche Situation hin, die zum Tod oder zu schweren Verletzungen führt, wenn sie nicht gemieden wird.



WARNUNG!

... weist auf eine möglicherweise gefährliche Situation hin, die zum Tod oder zu schweren Verletzungen führen kann, wenn sie nicht gemieden wird.



VORSICHT!

... weist auf eine möglicherweise gefährliche Situation hin, die zu geringfügigen oder leichten Verletzungen bzw. Sach- und Umweltschäden führen kann, wenn sie nicht gemieden wird.



INFORMATION

... hebt nützliche Tipps und Empfehlungen sowie Informationen für einen effizienten und störungsfreien Betrieb hervor.



Hinweis für Ex-Geräte

... hebt die relevanten und/oder benötigten Informationen hervor, die zum Betrieb in explosionsgefährdeten Bereichen notwendig sind.

3.2 Bestimmungsgemäße Verwendung

Die Beleuchtungssysteme sind ausschließlich für die Beleuchtung von Transparent- oder Refraktionsanzeigern vorgesehen.



Hinweis für Ex-Geräte

Die LED Lampe Cortem EV... der Beleuchtungseinheit LGI-LD und die Rohrleuchte 6036 der Beleuchtungseinheit LGI-RDM, sowie LGI-RDT sind als explosionsgeschützte Betriebsmittel innerhalb des Geltungsbereiches der EG Richtlinie 2014/34/EU, für den Einsatz in explosionsgefährdeten Bereichen zugelassen. Sie erfüllen die Anforderungen an elektrische Betriebsmittel für explosionsgefährdete Bereiche.

LGI-LD

Die ATEX Zulassung ist nur für die Lampe CORTEM EV... gültig.

Cortem EV-series

CESI 12 ATEX 006

Ex-Kennzeichnung:

Ex db IIC T6 to T3 Gb

Ex tb IIIC T54°C to T185°C Db

IP66

IECEX CES 07.0004

Ex-Kennzeichnung:

Ex db IIC T6 to T3 Gb

Ex db eb IIC T6 to T3 Gb

Ex tb IIIC T54°C to T185°C Db

Die Informationen zu der ATEX Zulassung finden Sie in der ATEX Zulassung und Betriebsanleitung für die Lampe EV... (Hersteller CO.SI.ME).

LGI-RDM / LGI-RDT

Die ATEX Zulassung ist nur für die LED Rohrleuchte 6036 gültig.

LED Rohrleuchte 6036

EPS 13 ATEX 1 597

II 2G Ex db op is IIC T6/T4 Gb

II 2D Ex tb IIIC T80°C/T100°C Db

I M2 Ex db op is I Mb

IECEX EPS 13.0027

Ex db op is IIC T6/T4 Gb

Ex tb IIIC T80°C/T100°C Db

Ex db op is I Mb

Die Informationen zu der ATEX Zulassung finden Sie in der ATEX Zulassung und Betriebsanleitung für die Lampe 6036 (Hersteller R. Stahl).



Hinweis für Ex-Geräte

Achtung Explosionsgefahr!

Am Behälter besteht die Gefahr explosionsfähiger Atmosphäre. Es sind entsprechende Maßnahmen, die eine Funkenbildung verhindern, zu ergreifen. Arbeiten in diesem Bereich dürfen nur durch Fachpersonal entsprechend den jeweiligen geltenden Sicherheitsrichtlinien durchgeführt werden.

3.3 Fehlgebrauch

Als Fehlgebrauch gilt jede Verwendung, die die technischen Leistungsgrenzen überschreitet oder mit den Werkstoffen unverträglich ist.



WARNUNG!

Verletzungen durch Fehlgebrauch

Fehlgebrauch des Gerätes kann zu gefährlichen Situationen und Verletzungen führen.

Eigenmächtige Umbauten am Gerät unterlassen

Jede über die bestimmungsgemäße Verwendung hinausgehende oder andersartige Benutzung gilt als Fehlgebrauch.

Dieses Gerät nicht in Sicherheits- oder in Not-Aus-Einrichtungen benutzen.

3.4 Verantwortung des Betreibers

Das Gerät wird im gewerblichen Bereich eingesetzt. Der Betreiber unterliegt daher den gesetzlichen Pflichten zur Arbeitssicherheit.

Die Sicherheitshinweise dieser Betriebsanleitung, sowie die für den Einsatzbereich des Gerätes gültigen Sicherheits-, Unfallverhütungs- und Umweltschutzvorschriften einhalten.

Für ein sicheres Arbeiten am Gerät muss der Betreiber sicherstellen,

- dass das Bedienpersonal regelmäßig in allen zutreffenden Fragen von Arbeitssicherheit, Erste Hilfe und Umweltschutz unterwiesen wird, sowie die Betriebsanleitung und insbesondere die darin enthaltenen Sicherheitshinweise kennt.
- dass das Gerät gemäß der bestimmungsgemäßen Verwendung für den Anwendungsfall geeignet ist (Prüfung auf Fehlgebrauch).

Nach Prüfung ist ein Fehlgebrauch ausgeschlossen.

3.5 Personalqualifikation



WARNUNG!

Verletzungsgefahr durch unzureichende Qualifikation

Unsachgemäßer Umgang kann zu erheblichen Personen- und Sachschäden führen.

- Die in dieser Betriebsanleitung beschriebenen Tätigkeiten nur durch Fachpersonal nachfolgend beschriebener Qualifikationen durchführen lassen.

Fachpersonal

Das vom Betreiber autorisierte Fachpersonal ist aufgrund seiner fachlichen Ausbildung, seiner Erfahrungen sowie Kenntnis der landesspezifischen Vorschriften, geltenden Normen und Richtlinien in der Lage, die beschriebenen Arbeiten auszuführen und mögliche Gefahren selbständig zu erkennen.

3.6 Persönliche Schutzausrüstung

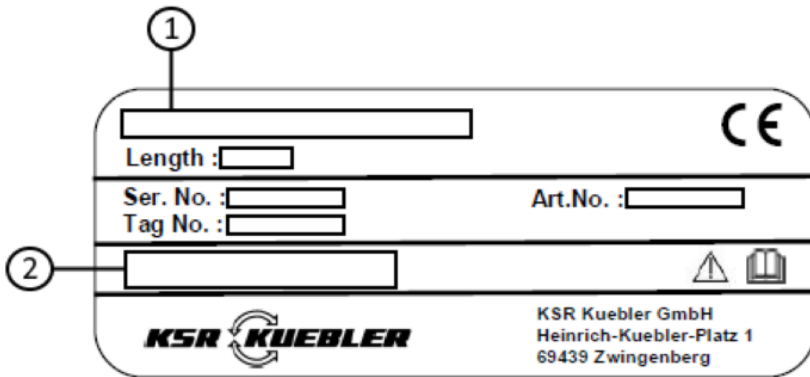
Die persönliche Schutzausrüstung dient dazu, das Fachpersonal gegen Gefahren zu schützen, die dessen Sicherheit oder Gesundheit bei der Arbeit beeinträchtigen könnten. Beim Ausführen der verschiedenen Arbeiten an und mit dem Gerät muss das Fachpersonal persönliche Schutzausrüstung tragen.

Im Arbeitsbereich angebrachte Hinweise zur persönlichen Schutzausrüstung befolgen!

Die erforderliche persönliche Schutzausrüstung muss vom Betreiber zur Verfügung gestellt werden.

3.7 Beschilderung, Sicherheitskennzeichnung

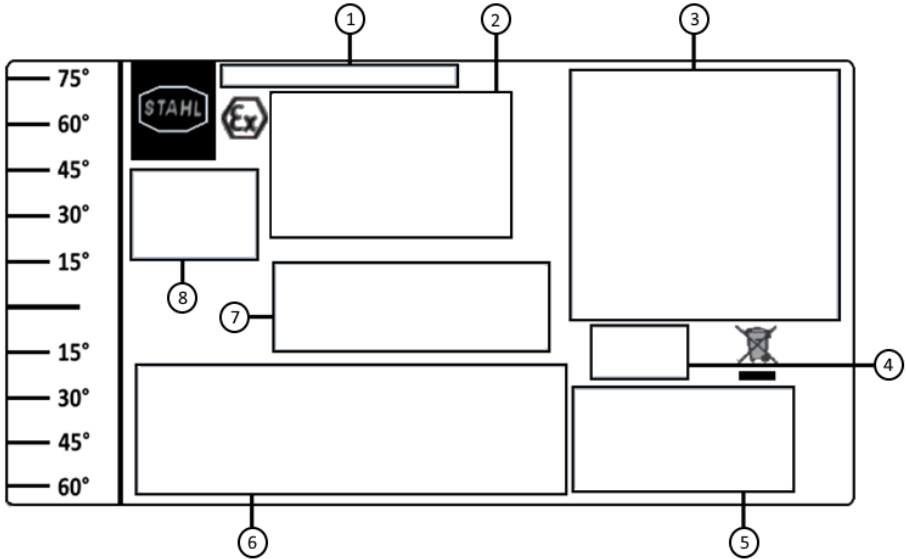
3.7.1 Beleuchtungseinheit mit LEDs (LGI-L)



- 1) Typ
- 2) Technische Daten (Schutzart, Schutzklasse, Betriebsspannung)

3.7.2 Beleuchtungseinheit mit LED Rohrleuchte (LGI-RDM / LGI-RDT)

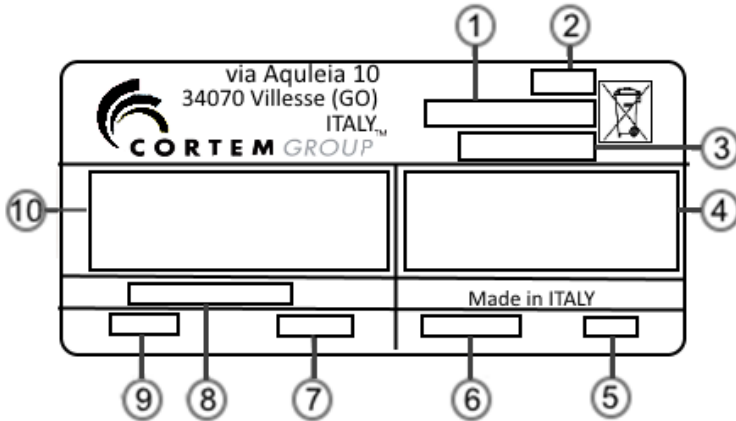
Bitte beachten Sie das Typenschild des Herstellers R. Stahl (series 6036). Dieses befindet sich auf der Lampe innerhalb des Edelstahlgehäuses.



- 1) Bezeichnung der Lampe
- 2) Klassifizierung der ATEX und IECEx Zulassung
- 3) Hinweise des Herstellers
- 4) Schutzklasse und Schiffbauzulassung
- 5) Strichcode
- 6) Hinweise des Herstellers
- 7) Technische Daten
- 8) Angaben zum Hersteller

3.7.3 Beleuchtungseinheit LED-Leuchtmittel (LGI-LD)

Bei der Benutzung der Beleuchtungseinheit mit LED Leuchtmittel muss das Typenschild des Herstellers Cortem beachtet werden:



- 1) Herstellungsjahr
- 2) Seriennummer
- 3) Bezeichnung der verwendeten Beleuchtung
- 4) Klassifizierung der IECEx-Zulassung
- 5) Elektrische Leistung
- 6) Farbwiedergabe
- 7) Frequenz
- 8) Betriebsspannung
- 9) Temperaturbereich
- 10) Klassifizierung der ATEX-Zulassung



Vor Montage und Inbetriebnahme des Gerätes unbedingt die Betriebsanleitung lesen.

4. Transport, Verpackung und Lagerung

4.1 Transport

Das Beleuchtungssystem auf eventuell vorhandene Transportschäden untersuchen. Offensichtliche Schäden unverzüglich melden.



VORSICHT!

Beschädigung durch unsachgemäßen Transport

Bei unsachgemäßem Transport können Sachschäden in erheblicher Höhe entstehen.

- Beim Abladen der Packstücke bei Anlieferung sowie innerbetrieblichem Transport vorsichtig vorgehen und die Symbole auf der Verpackung beachten.
- Bei innerbetrieblichem Transport die Hinweise unter Kapitel 4.2. „Verpackung und Lagerung“ beachten

4.2 Verpackung und Lagerung

Verpackung erst unmittelbar vor der Montage entfernen. Die Verpackung aufbewahren, denn diese bietet bei einem Transport einen optimalen Schutz (z.B. wechselnder Einbauort, Reparatursendung).

5. Inbetriebnahme, Betrieb

- Alle auf der Versandverpackung angegebenen Hinweise zum Entfernen der Transportsicherungen beachten.
- Das Beleuchtungssystem vorsichtig aus der Verpackung entnehmen!
- Beim Auspacken alle Teile auf äußerliche Beschädigungen überprüfen.
- Funktionsprüfung vor dem Einbau durchführen



Hinweis für Ex-Geräte

Zur Funktionsprüfung sind Prüfmittel zu verwenden, die für den Einsatz im explosionsgefährdeten Bereich geeignet bzw. zugelassen sind. Diese Tätigkeiten dürfen nur von sachkundigem Personal durchgeführt werden.

5.1 Montage der Beleuchtungseinheit



Nicht fachgerechte Montage:

Die Folgen nicht fachgerechter Befestigung der Beleuchtungseinheiten können zu Sach- und Personenschäden führen.

Beachten Sie ebenfalls die Herstellerangaben der Leuchtmittel.

5.1.1 Beleuchtungseinheit mit LEDs (LGI-L)

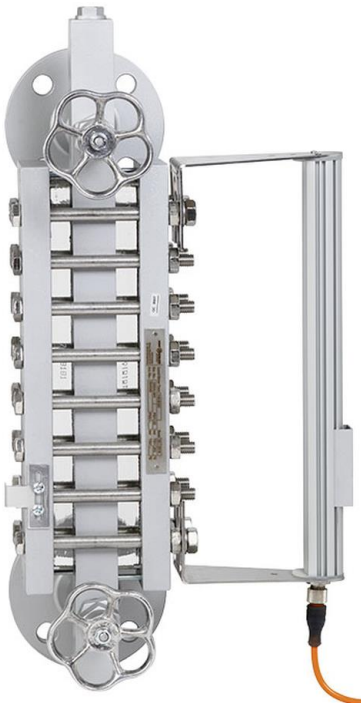


Abbildung 5: Beispiel LGG-T mit LGI-L

Die Befestigung der Beleuchtungseinheit am Glasanzeiger erfolgt mittels der beiden oberen und unteren Schrauben.

Die Laschen der Halterung werden dabei in die beiden Schrauben eingehängt. Mittels der mitgelieferten Muttern kann die Beleuchtung fixiert werden. Dabei sollte darauf geachtet werden, dass der obere Abschluss der Beleuchtung und die obere Kante des Deckels des Glasanzeigers bündig abschließen.

5.1.2 Beleuchtungseinheit mit LED Rohrleuchte (LGI-RDT)


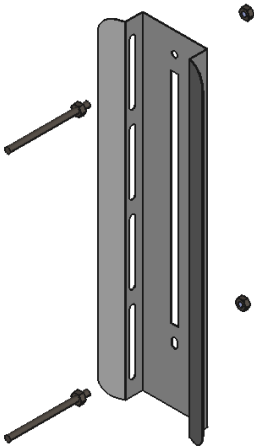
Die lose beigelegten Z-Halter mithilfe einer zusätzlichen Mutter (ebenfalls lose beigelegt) am Glasanzeiger montieren.

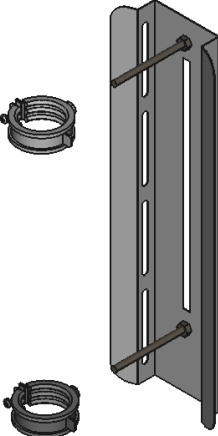
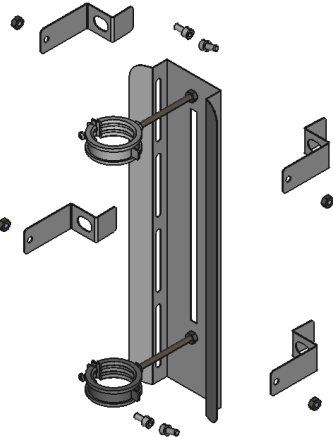
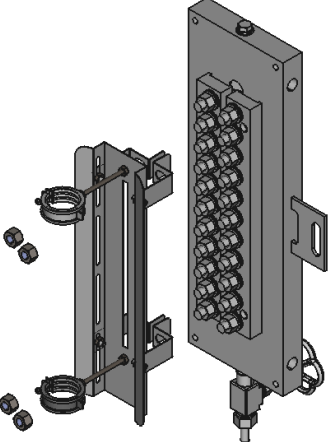
An der Beleuchtung befinden sich bereits Bolzen zur Befestigung. Daher sollten die Position der Z Halter mithilfe der vorgegebenen Bolzen ausgerichtet werden, sodass sich der leuchtende Bereich später zentriert zum Sichtbereich befindet.

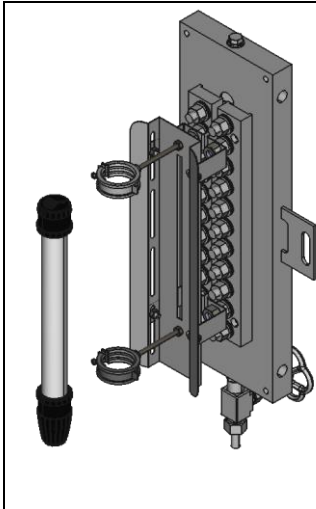
Die äußere Mutter der Beleuchtungseinheit 10mm herausdrehen. Nun die Beleuchtungseinheit mit den Schrauben in die Halterung einhängen und die außenliegenden Muttern wieder anziehen.

5.1.3 Beleuchtungseinheit mit LED Rohrleuchte (LGI-RDM)

Die Beleuchtungseinheit wird in Einzelteilen geliefert. Folgend werden die Montageschritte beschrieben.

	<p>Vorbereiten der Gewindebolzen. Je eine Mutter wird ca. 12mm auf die beiden Gewindebolzen gedreht.</p>
	<p>Die beiden vorbereiteten Bolzen werden mit der kürzeren Seite in die Bohrungen des Hitzeblechs gesteckt und mit einer weiteren Mutter gekontert. Die Muttern werden mit einem Gabelschlüssel SW13 handfest angezogen.</p>

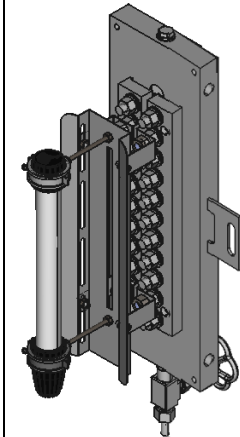
	<p>Die Spannschellen werden auf die Gewindebolzen gedreht.</p> <p>Bitte darauf achten, dass die Spannschellen parallel zueinander ausgerichtet sind.</p>
	<p>Die Halter werden mit je einer Schraube und Mutter an dem Hitzeblech angebracht.</p>
	<p>Die Beleuchtungseinheit wird am Glasanzeiger angebracht. Die Halter werden dafür auf Schrauben des Glasanzeigers aufgesetzt und mit den mitgelieferten Muttern fixiert. Die Muttern werden handfest angezogen.</p> <p>Bitte darauf achten, dass der Lichtschlitz des Hitzeblechs zentriert zu dem Schaubereich des Glasanzeigers ausgerichtet ist.</p>



Als letzter Schritt wird die Lampe in die Spannschellen eingehängt. Die Spannschellen werden oben und unten an der Nut der schwarzen Abschlussstücke angebracht.

Auf dem Typenschild der Lampe sind Winkelangaben zu finden. Bitte darauf achten, dass die Markierung 0° in die entgegengesetzte Richtung des Glasanzeigers zeigt.

Die Schrauben der Spannschellen bitte mithilfe eines Schraubendrehers (Größe PH2) handfest anziehen.

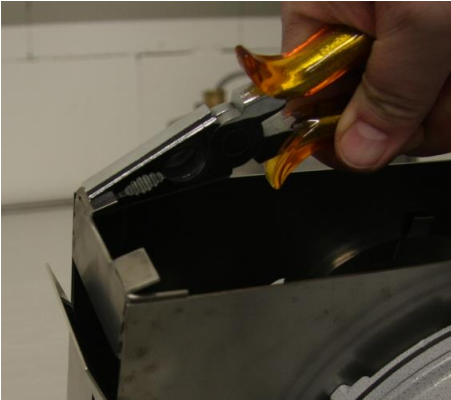


Die Montage ist nun beendet.

5.1.4 Beleuchtungseinheit mit LED-Leuchtmittel



Die Befestigung der Beleuchtungseinheit mit LED Leuchtmittel erfolgt mit dem angebrachten Befestigungswinkel am Glasanzeiger.



Die Beleuchtungseinheit kann aus der Sichtrichtung mit dem Glühlampengehäuse sowohl rechts als auch links angebracht werden. Dabei müssen die beiden Zungen der Halterung an der oberen Lichtkastenseite mithilfe einer Zange um ca. 60° umgebogen werden.



Die Halterung an der anderen Seite des Glasanzeigers wird nicht umgebogen.



Nun kann der Lichtleitkasten mit der gebogenen Seite in den entsprechenden Befestigungswinkel eingehängt werden.



Die untere (nicht umgebogene) Halterung wird unterhalb des am Glasanzeiger angebrachten Befestigungswinkels hineingeschoben und dient als Abstandshalter des Lichtkastens.



Die Belüftungsklappen dürfen nicht verschlossen oder abgedeckt werden.

5.2 Elektrischer Anschluss

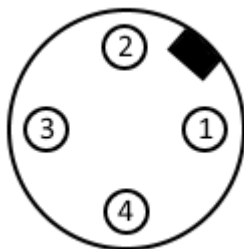


Der elektrische Anschluss ist entsprechend den im Errichtungsland geltenden Sicherheitsbestimmungen zur Errichtung elektrischer Anlagen durchzuführen und darf nur von Fachpersonal ausgeführt werden.

Die elektrischen Daten auf dem Typschild sind zu beachten. Die Arbeiten dürfen nur von geschultem Fachpersonal vorgenommen werden.

5.2.1 Beleuchtungseinheit mit LEDs (LGI-L)

Der elektrische Anschluss der LED Beleuchtung erfolgt mittels eines M12-Steckerverbinders (male).



Belegung der Pole:

1 = +

3 = -

Bemessungsspannung	DC 24V
Bemessungsstrom	200mA/m
Empfohlener Querschnitt der Netzanschlussleitung	0,25mm ²

5.2.2 Beleuchtungseinheit mit LED-Rohrleuchte (LGI-RDM / LGI-RDT)

Bitte entnehmen Sie die Informationen zu der elektrischen Montage der Betriebsanleitung des Herstellers R. Stahl (Lampe 6036).

5.2.3 Beleuchtungseinheit mit LED-Leuchtmittel (LGI-LD)

Bitte entnehmen Sie die Informationen zu der elektrischen Montage der Betriebsanleitung des Herstellers CORTEM (EV..-series).

6. Störungen

Störung	Mögliche Ursache	Maßnahme
Elektrische Fehler	Beschädigte Leitungen	Elektrofachkraft / KSR Kuebler
	Kabelbruch	
	Elektrische Bauteile defekt	
	Ausfall des Leuchtmittels	
Mechanische Fehler	Verschleiß	KSR Kuebler
	Fehlfunktion	
	Fehlbedienung	
	Mechanische Beschädigung	

Ein Tausch der Glühlampe der Beleuchtungseinheit LGI-LD muss gemäß der Betriebsanleitung der Firma CORTEM (EV series) erfolgen.



VORSICHT! **Körperverletzungen, Sach- und Umweltschäden**

Können Störungen mit Hilfe der aufgeführten Maßnahmen nicht beseitigt werden, Gerät unverzüglich außer Betrieb setzen.

- Kontakt mit dem Hersteller aufnehmen.
- Bei notwendiger Rücksendung die Hinweise unter Kapitel 8.2 „Rücksendung“ beachten.

7. Wartung und Reinigung

7.1 Wartung



WARNUNG!

Setzen Sie bei Störungsbeseitigungen, Wartung und Instandsetzung das Beleuchtungssystem durch Ausschalten des Ein-/Ausschalters sicher still!

Reparaturen und Fehlerbehebungen dürfen nur vom Hersteller oder vom Hersteller bevollmächtigten Personen repariert werden. Die internationalen und nationalen Bestimmungen bezüglich der Durchführung der Reparatur sind zu beachten

Beachten Sie die Warnungen und Sicherheitshinweise!
Benutzen Sie Ihre persönliche Schutzausrüstung!



HINWEIS!

Eine einwandfreie Funktion der Beleuchtungssysteme kann nur bei Verwendung von Original KSR Kuebler Zubehör und Ersatzteilen garantiert werden

8. Demontage, Rücksendung und Entsorgung

8.1 Demontage

Beleuchtung nur im stromlosen Zustand demontieren!

8.2 Rücksendung

Zur Rücksendung des Gerätes die Originalverpackung oder eine geeignete Transportverpackung verwenden.

Hinweise zur Rücksendung befinden sich in der Rubrik „Service“ auf unserer lokalen Internetseite.



Hinweise zur Rücksendung befinden sich in der Rubrik „Service“ auf unserer lokalen Internetseite.

8.3 Entsorgung

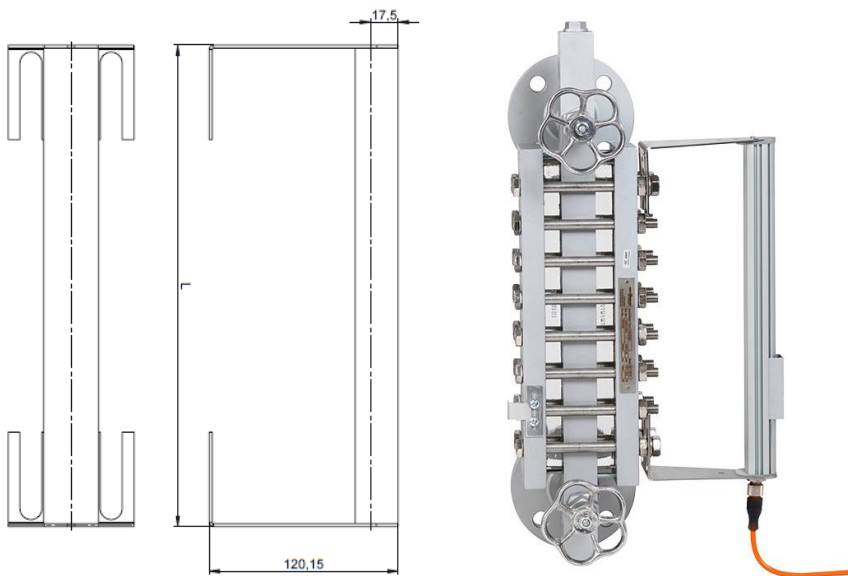
Bei einer unsachgemäßen Entsorgung können Gefahren für die Umwelt entstehen.

Gerätekomponenten und Verpackungsmaterialien entsprechend den landesspezifischen Abfallbehandlungs- und Entsorgungsvorschriften umweltgerecht entsorgen.

9. Technische Daten

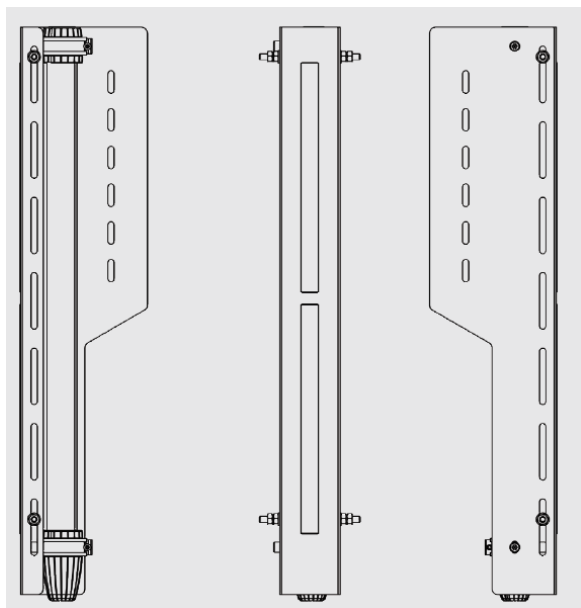
9.1 Technische Daten

9.1.1 Beleuchtungseinheit mit LEDs (LGI-L)



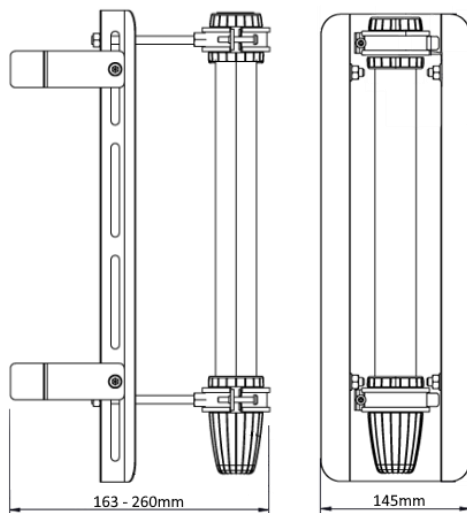
Bezeichnung		Beleuchtungseinheit mit LEDs
Lichtleitkasten	Länge:	Abhängig von Schaulänge (VL) des Glasanzeigers
	Breite:	35mm
	Tiefe:	120mm
	Gewicht:	längenabhängig
Verwendete Leuchtmittel:		LumiFlex Economy 35
Betriebsspannung:		DC 24V
Betriebsstromstärke		längenabhängig

9.1.2 Beleuchtungseinheit LGI-RDT



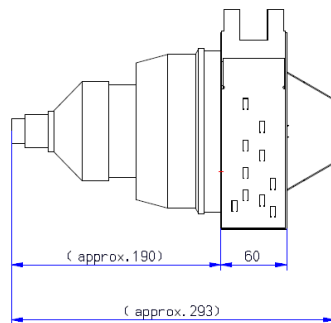
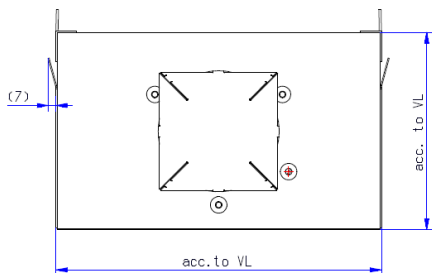
Bezeichnung		Beleuchtungseinheit mit LED Rohrleuchte
		Series 6036
Lichtleitkasten	Länge:	Abhängig von Schaulänge (VL) des Glasanzeigers
	Breite:	80 mm
	Tiefe:	168 mm
	Gewicht:	längenabhängig
Verwendete Leuchtmittel:	LED Rohrleuchte – Series 6036	
Betriebsspannung	Größe A: AC 110 - 240V / DC 110 – 240V Größe B / C / D: AC 220 ... 240V / DC 209 – 240V	
Betriebsstromstärke	längenabhängig	

9.1.3 Beleuchtungseinheit LGI-RDM



Bezeichnung		Beleuchtungseinheit mit LED Rohrleuchte
		Series 6036
Lichtleitkasten	Länge:	Abhängig von Schaulänge (VL) des Glasanzeigers
	Breite:	145mm
	Tiefe:	163 – 260mm (je nach Verbindung zwischen Lampe und Hitzeschutz)
	Gewicht:	längenabhängig
Verwendete Leuchtmittel:	LED Rohrleuchte – Series 6036	
Betriebsspannung	AC 110 - 240V // DC 209 – 240V	
Betriebsstromstärke	längenabhängig	

9.1.2 Beleuchtungseinheit mit LED-Leuchtmittel



Bezeichnung		Beleuchtungseinheit mit LED-Leuchtmittel
		CORTEM EVA-5050
Lichtleitkasten	Länge:	Abhängig von Schaulänge (VL) des Glasanzeigers
	Breite:	293mm
	Tiefe:	180mm (bis zu VL = 400mm) 300mm (ab VL = 400mm)
	Gewicht:	längenabhängig
Verwendete Leuchtmittel:		Cortem LampLED 8 W
Betriebsspannung		AC 230V
Betriebsstromstärke		35mA

9.2 Einsatzgrenzen

9.2.1 Beleuchtungseinheit mit LEDs (LGI-L)

- Umgebungstemperatur der Luft: $T = -40 \dots 85^{\circ}\text{C}$
- Relative Luftfeuchtigkeit der Umgebung: 10...80% (Betrieb nur im nichtbetauten, nichtvereisten Zustand)

9.2.2 Beleuchtungseinheit mit LED Rohrleuchte (LGI-RDT, LGI-RDM)

Bitte beachten Sie die Montageanleitung des Hersteller R. Stahl (series 6036).

9.2.2 Beleuchtungseinheit mit LED-Leuchtmittel (LGI-LD)

Bitte beachten Sie die Montageanleitung des Hersteller CORTEM (EV..-series).

Detaillierte Informationen über die verschiedenen Beleuchtungssysteme sind den folgenden Datenblättern separat zu entnehmen:

- Beleuchtung für Schauglasanzeiger; Typ LGI; siehe Datenblatt LGI
- CORTEM – EV series
- R. Stahl – Series 6036

9.3 Typenübersicht

Beleuchtungstyp	Beschreibung	Zulassung	
		ohne	mit Ex d
LGI-L	Beleuchtungseinheit mit LEDs	x	
LGI-RDT / LGI-RDM	Beleuchtungseinheit Rohrleuchte mit LEDs		x
LGI-LD	Beleuchtungseinheit mit LED-Leuchtmittel		x

9.4 Ersatzteile

9.4.1 Beleuchtungseinheit mit LEDs (LGI-L)

keine

9.4.2 Beleuchtungseinheit mit Rohrleuchte (LGI-RDT / LGI-RDM)

keine

9.4.3 Beleuchtungseinheit mit LED Leuchtmittel (LGI-LD)

LED-Leuchtmittel:

Cortem LampLED 8 W

KSR Kuebler subsidiaries worldwide can be found online at www.ksr-kuebler.com.
WIKA subsidiaries worldwide can be found online at www.wika.com.

Manufacturer contact
hergestellt von



KSR Kuebler Niveau-Messtechnik GmbH

Heinrich-Kuebler-Platz 1
69439 Zwingenberg am Neckar • Germany
Tel. +49 6263/87-0
Fax +49 6263/87-99
info@ksr-kuebler.com
www.ksr-kuebler.com

Sales contact
Vertrieb durch



WIKAL Alexander Wiegand SE & Co. KG

Alexander-Wiegand-Straße 30
63911 Klingenberg • Germany
Tel. +49 9372 132-0
Fax +49 9372 132-406
info@wika.de
www.wika.de