

Operating Instructions
Betriebsanleitung

HYDRA digital indicator with switch points, HI

GB

HYDRA Digitalanzeige mit Schaltausgängen, HI

D

HYDRA-Indicator



HYDRA-Indicator
panel-mount

HYDRA-Dry
mit integriertem Indicator

WIKAL

Part of your business

GB	Operating instructions HYDRA-Indicator	Page 1-20
D	Betriebsanleitung HYDRA-Indicator	Seite 21-40

Content

Content

1.	Safety instructions	4-6	GB
2.	Product description	7	
3.	Technical data	8-9	
3.1	Dimensions	10	
4.	Electrical connection	11	
5.	Commissioning the indicator	12	
5.1	Function	12	
5.2	Key-Pad Operation	12	
5.3	Configuration (matching the indicator to the transmitter)	13-14	
5.4	Setting switching points and functions	15-16	
5.5	Selection of indicator display units	17	
5.6	Entering the zero point offset	18	
6.	Trouble shooting and service	19-20	

1. Safety instructions



GB

Caution

1. Safety instructions

This device has been built and tested in accordance with the safety instructions for electronic measuring instruments. The correct function and operational safety of the device can only be assured if standard safety procedures are followed and the safety instructions specific to this device and these operating instructions are observed.

1. The correct function and operational safety of the equipment can only be assured under the environmental conditions which are specified in the chapter on "Technical data".
2. Disconnect the instrument before connecting up to the power supply. Ensure that internal connections are not exposed to direct contact during installation and connection of the device.
3. Observe standard regulations and safety rules for electrical work and high voltage systems, especially any country-specific safety regulations (for example VDE 0100).
4. Take particular care when connecting the switching circuits to other equipment (for example a PC). Internal connections in other connected devices (for example GND connection to protective earthing) can lead to impermissible potential voltages under certain circumstances.
5. If the equipment should become damaged or unsafe for operation it should be removed from service and marked to prevent it from being used again accidentally.

2460536 01/2003 GB/D

1. Safety instructions

The safety of the user can be endangered by the equipment if, for example:

- the unit is visibly damaged
- it no longer operates within specification
- it has been stored in an unsuitable environment over a long period.

If in doubt the device should be returned to the manufacturers for repair and servicing.

GB



Parts of this equipment could be connected to hazardous voltages automatically when the electrical equipment is operated. If these warning instructions are not observed this could result in severe injury or damage to material. Only appropriately qualified personnel should work on this equipment. Correct, safe operation of this equipment will depend upon proper transportation, appropriate storage, configuration and installation as well as careful operation and maintenance.

Qualified personnel

These should be qualified personnel familiar with the configuration, installation, commissioning and operation of the product and should be appropriately qualified for the work they do.

For example:

- Trained , instructed or authorized with respect to the standards for safety interlocks, isolation, earthing and marking circuits for equipment or systems

1. Safety instructions

- Trained or instructed in safety engineering standards and care and use of appropriate safety equipment

GB



Do not use this product in safety or emergency shut-down systems, or in applications where faulty behaviour of the instrument might result in injury to persons.

Failure to follow these instructions could lead to personal injury or death.

2. Product description

The digital indicator HI is for use with the 4 ... 20 mA signal.

The input signal is directly connected through to the output. The indicator is powered directly from the current loop, i.e. no additional power supply is required.

GB

Two galvanic isolated switch outputs are also available, each of which can be set with external operating keys.

The measured value is shown on a 4-digit LED display with an indicating range of -999 ... 6000.

The indicator attaches directly onto the transmitter with no need for additional configuration tools.

The indicator has three operating keys to perform this function.

The measuring units (psi, bar, kPa, MPa and kg/cm²), decimal point, display range, zero point and optional switching points can be set with these keys.

3. Technical data

Specifications

GB

Display		
■ Design		7-Segment-red LED, height 7 mm, 4-digit
■ Range		-999 ... 6000
■ Accuracy	% of span	≤ 0.5 ± 1 digit
Scaling adjustment		
		Menu-driven programming via external control keys
		Adjustable measuring range
		Adjustable decimal point
		Programmable pressure units: bar, psi, kg/cm ² , MPa, kPa
		Zero point freely adjustable within a range of ±10 % of the span
Signal input	mA	4 ... 20, 2-wire (supplied by the current loop, 6 V voltage load)
Signal output		Analogue signal is directly looped through
Max. permissible input	mA / VDC	±40 (short duration only)
CE-conformity		89/336/EWG interference emission and Interference compatibility see EN 61 326
Switch points		
■ Number		2 x NPN Open-Collector (With MIL-connector: 1 x NPN Open-Collector)
		Galvanically isolated switch points for 4 ... 20 mA
■ Function		Make contact, break contact
■ Adjustment		Freely adjustable within a range of 1 ... 99 % of the span
■ Temperature error		< 0.1% / 10 K
■ Accuracy	% of span	≤ 0.5 ± 1 digit
■ Max. switching current	mA	300
■ Display of switch status		
		LED
■ Response time	ms	< 15
■ Hysteresis	%	0.5 (fixed)

2460536 01/2003 GB/D

3. Technical data

Specifications

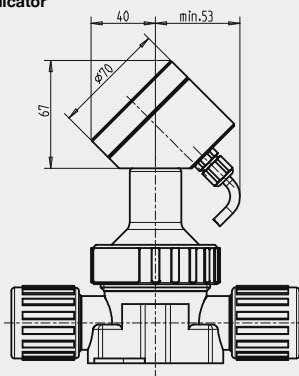
Power supply	VDC	16 ... 30 for 4 ... 20 mA;	
Influence of power supply		< 0.1% / 10 V	
Permissible temperature range			
■ Ambient	°C	- 30 ... +85	-22 ... +185 °F
■ Storage	°C	- 30 ... +85	-22 ... +185 °F
■ Compensated	°C	- 20 ... +80	- 4 ... +176 °F
Temperature error	% of span	< 0.1/10K	
Vibration resistance	g	5 at 10 ... 2000 Hz	
Shock resistance	g	100	
Electrical connection		Flying lead with 5 m cable	
Ingress protection per IEC 60529 / EN 60529		IP 67	
Wiring protection		Protected against polarity crossing +Us/-Us	
Fault messages		Err 1: Measuring range exceeded	
		Err 2: Below measuring range	
		Err 3: Display range exceeded	
		Err 4: Below display range	
Materials			
■ Case		PP and PFA	
■ Cable		coated with PTFE	
Installation		Panel mount Ø 64 mm or mounted on pressure transducer	
		HYDRA-Dry	
Dimensions	mm	See dimensions	

GB

3. Technical data

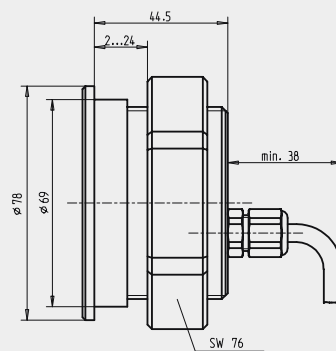
3.1 Dimensions

Integrated HYDRA-Indicator



2480187.01

HYDRA-Indicator panel-mount



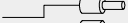


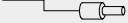


2479113.01

Modifications may take place and materials specified may be replaced by others without prior notice. Specifications and dimensions given in this leaflet represent the state of engineering at the time of printing.

4. Electrical connection

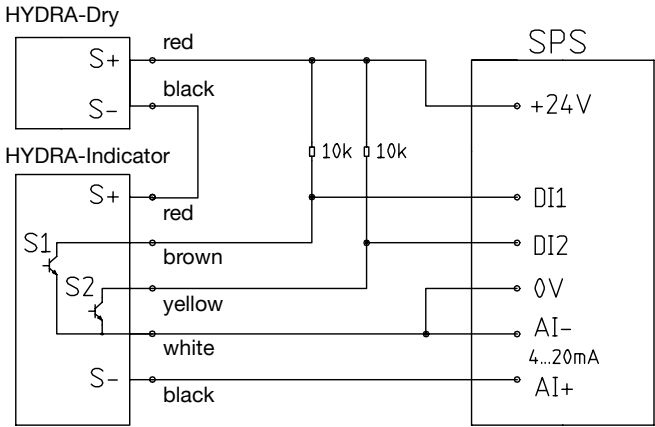
4. Electrical connection

Flying leads

	red	Power supply +UB, S+
	black	Power supply 0V, S-
	blue	Not wired
	white	Switch ground (potential-free)
	brown	Switch out1
	yellow	Switch out2

GB

Example for connection programmable logic controller (PLC)



2480536 01/2003 GB/D

5. Commissioning the indicator


5.1 Functions


The following functions are configurable:


GB



- Configuration Range Units
- Decimal point position
- Minimum display value
- Maximum display value
- Switching point for output 1
- Switching function for output 1
- Switching point for output 2
- Switching function for output 2
- Display units
- Zero point offset

5.2 Key-Pad Operation

 Configuration of switching points and functions (see 5.4)

 To alter display units - scroll anticlockwise (see 5.5)

 To alter display units - scroll clockwise (see 5.5)

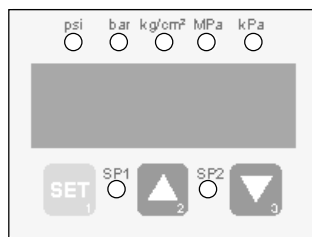
 +  Zero point offset (see 5.6)

 +  Configuration (see 5.3)

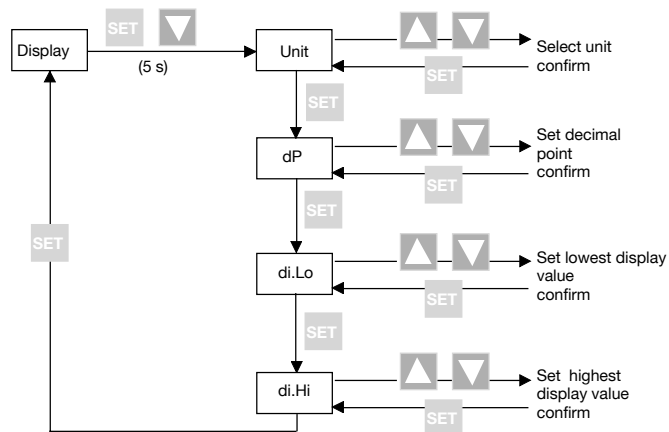
5. Commissioning the indicator

5.3 Configuration

(Matching the indicator to the transmitter)



GB



- Press keys 1 and 3 simultaneously for five seconds; the display will show "Unit".

5. Commissioning the indicator

GB

- Select the required unit with the keys 2 and 3.
- Confirm the set value with key 1; "unit" appears again in the display.
- Press the key 1 briefly; "dP" appears in display (decimal point).
- Select the required position of the decimal point with the keys 2 and 3.
- Confirm the set value with key 1; "dP" will again appear in the display.
- Press key 1 again; "di.Lo" (display low) appears in the display.
- Set the lowest display value with the keys 2 and 3, i.e. the display value 4 mA or 0 V (permissible range: from -999 to maximum display value).
- Confirm the set value with the key 1; "di.Lo" appears again in the display.
- Press the key 1 briefly; "di.Hi" (display high) appears in the display.
- Set the highest display value with the keys 2 and 3; i.e. set the display value at 20 mA, 5 V or 10 V (permissible range: minimal display value up to 6000).
- Confirm the set value with the key; "di.Hi" appears again in the display.

5. Commissioning the indicator

- Press key 1 briefly; the display disappears for a short time and this signals that the settings have been saved to the internal memory. Afterwards the measured value is displayed again.

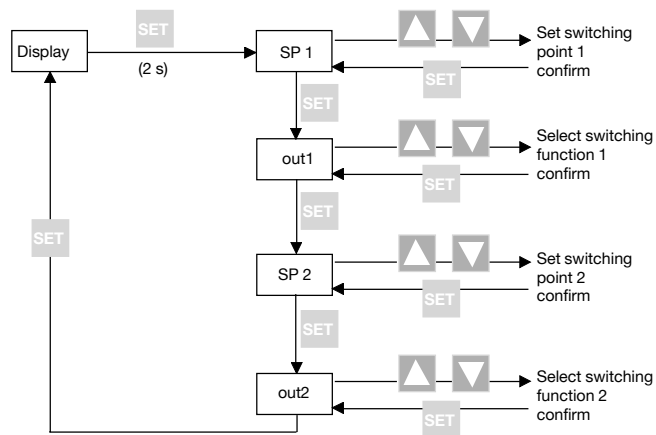
GB



Note

If, during configuration, 10 seconds elapses since any key was pressed, it automatically reverts to the main menu. If a further 60 seconds elapses with no keys being pressed, the instrument will automatically re-start. If this occurs any changes made will not be saved.

6.4 Setting switching points and switching functions



2480536 01/2003 GB/D

5. Commissioning the indicator

GB

- Press key 1 for two seconds; "SP 1" appears in the display.
- Set the required switching point for switching output 1 with keys 2 and 3 (permissible range: minimum to maximum display value).

Scrolling function:

Keys 2 and 3 are equipped with a "scroll function" to enter values. If the key is pressed briefly the display value will change by one digit, upwards or downwards, respectively. If the key is held down longer (> 1 second) the value starts to change upwards or downwards, respectively, with the scroll rate increasing after a further six seconds.

- Confirm the set value with key 1; "SP 1" will appear again in the display.
- Press key 1 once again; "out1" will appear in the display.
- Select the required switching function of the output 1 with keys 2 and 3.

Four possibilities are given:

off: always off	on: always on
no: make contact	nc: break contact

- Confirm the selection with key 1; "out1" will again appear in the display.
- Press key 1 briefly; "SP 2" appears in the display.
- Set the required switching point for switching output 2 with keys 2 and 3 (permissible range: minimum to maximum display value).

5. Commissioning the indicator

- Confirm the set value with key 1; "SP 2" will appear again in the display.
- Press key 1 once again; "out 2" appears in the display.
- Select the required switching function of output 2 with keys 2 and 3.
- Confirm the selection with key 1; "out2" will appear in the display again.
- Press key 1 briefly; the display will disappear for a short time and this signals that the settings have been saved to the internal memory
Afterwards the measured value is displayed again.

GB



Note

If, during configuration, 10 seconds elapses since any key was pressed, it automatically reverts to the main menu. If a further 60 seconds elapses with no keys being pressed, the instrument will automatically re-start. If this occurs any changes made will not be saved.

5.5 Selection of display units

- Select the required unit with keys 2 and 3.

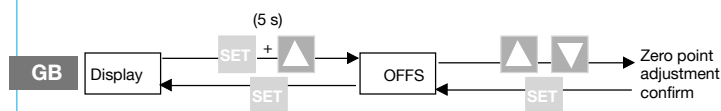


Note

Should a unit be skipped when attempting to select it, this means that displaying this value is not possible in this unit.

5. Commissioning the indicator

5.6 Entering the zero point offset



Offsetting the zero point makes it possible to correct display errors which are the result of sensor tolerances. The value entered here is subtracted from the measured result, i.e. the characteristic curve is offset parallel to the zero point.

- Press keys 1 and 2 for five seconds; "OFFS" (offset) appears in the display.
- Enter the required zero point offset with keys 2 and 3 (permissible range: + 12.5 % of display span).
- Confirm the set value with key 1; "OFFS" again appears in the display.
- Press key 1 briefly; the measured value is displayed again.



Note

If, during configuration, 10 seconds elapses since any key was pressed, it automatically reverts to the main menu. If a further 60 seconds elapses with no keys being pressed, the instrument will automatically restart. If this occurs any changes made will not be saved.

6. Trouble shooting and service

If the instrument detects any fault conditions, an appropriate Error Code will be displayed:

Err.1: Measuring range exceeded

GB

This error message means that the measuring range of the instrument has been exceeded by more than two percent of the measuring range span.

Possible causes of error:

- Input signal too high
- Transmitter defective or not suitable
- Transmitter connection cable is short circuited

Remedy: Err.1 resets itself once the signal is back within range. To ensure this please check your transmitter or the transmitter cabling.

Err.2: Signal Below Measuring Range

This error message means that the signal is below the measuring range of the device by more than two percent of the measuring range span.

Possible causes of error:

- Input signal too low
- Transmitter defective or not suitable
- Transmitter connection cable is short circuited

Remedy: Err.2 resets itself once the signal is back within range. To ensure this please check your transmitter or the transmitter cabling.

6. Trouble shooting and service



Note

The keys are disabled as long as the error message Err.2 is displayed.

GB

Err.3: Display range exceeded

This fault message means that the maximum possible display value of 6000 digits has been exceeded.

Possible causes of error: ■ The display value cannot be displayed in the selected display unit.

Remedy: Err.3 resets itself once the measured value is back within the display range.

Err.4: Measured Value below Display Range

This fault message means that the reading is below the minimum possible display value of -999 digits.

Possible causes of error: ■ The display value cannot be displayed in the selected display unit.

Remedy: Err.4 resets itself once the measured value is back within the display range.

2460536 01/2003 GB/D

Inhalt

1.	Sicherheitshinweise	22-24
2.	Produktbeschreibung	25
3.	Technische Daten	26-28
3.1	Abmessungen	28
4.	Elektrischer Anschluss	29
5.	Inbetriebnahme der Anzeige	30-36
5.1	Funktionen	30
5.2	Tastenfunktionen	30
5.3	Konfiguration (Anpassung der Anzeige)	31-33
5.4	Einstellen der Schaltpunkte /-funktionen	33-35
5.5	Auswahl der Anzeigeeinheit	35
5.6	Eingabe der Nullpunktverschiebung	36
6.	Fehlersuche und Service	37-40

D

1. Sicherheitshinweise



Vorsicht

D

1. Sicherheitshinweise

Dieses Gerät ist gemäß den Sicherheitsbestimmungen für elektronische Messgeräte gebaut und geprüft. Die einwandfreie Funktion und Betriebssicherheit des Gerätes kann nur dann gewährleistet werden, wenn bei der Benutzung die allgemein üblichen Sicherheitsvorkehrungen sowie die gerätespezifischen Sicherheitshinweise in dieser Betriebsanleitung beachtet werden.

1. Die einwandfreie Funktion und Betriebssicherheit des Gerätes kann nur unter den klimatischen Verhältnissen, die im Kapitel "Technische Daten" spezifiziert sind, garantiert werden.
2. Trennen Sie das Gerät vor dem Öffnen von der Versorgungsspannung. Achten Sie bei der Montage von Gerät und Anschlüssen darauf, dass alle Teile gegen direktes Berühren geschützt sind.
3. Beachten Sie die üblichen Vorschriften und Sicherheitsbestimmungen für Elektro-, Schwach- und Starkstromanlagen, insbesondere die landesüblichen Sicherheitsbestimmungen (z. B. VDE 0100).
4. Konzipieren Sie die Beschaltung besonders sorgfältig beim Anschluss an andere Geräte (z. B. PC). Unter Umständen können interne Verbindungen in Fremdgeräten (z. B. Verbindung GND mit Schutz-erde) zu nicht erlaubten Spannungspotentialen führen.
5. Wenn anzunehmen ist, dass das Gerät nicht mehr gefahrlos betrieben werden kann, so ist es außer Betrieb zu setzen und vor einer weiteren Inbetriebnahme durch Kennzeichnung zu sichern.

2460536 01/2003 GB/D

1. Sicherheitshinweise

Die Sicherheit des Benutzers kann durch das Gerät beeinträchtigt sein, wenn es zum Beispiel:

- sichtbare Schäden aufweist
- nicht mehr wie vorgeschrieben arbeitet
- längere Zeit unter ungeeigneten Bedingungen gelagert wurde.

In Zweifelsfällen sollte das Gerät grundsätzlich an den Hersteller zur Reparatur / Wartung eingeschickt werden.



Beim Betrieb elektrischer Geräte stehen zwangsläufig Teile dieser Geräte unter gefährlicher Spannung. Bei Nichtbeachtung der Warnhinweise können deshalb schwere Körperverletzungen oder Sachschäden auftreten. Nur entsprechend qualifiziertes Personal darf an diesem Gerät arbeiten. Der einwandfreie und sichere Betrieb dieses Geräts setzt sachgemäßen Transport, fachgerechte Lagerung, Aufstellung und Montage sowie sorgfältige Bedienung und Instandhaltung voraus.

Qualifiziertes Personal

sind Personen, die mit Aufstellung, Montage, Inbetriebnahme und Betrieb des Produktes vertraut sind und über die ihrer Tätigkeit entsprechende Qualifikation verfügen.

Zum Beispiel:

- Ausbildung oder Unterweisung bzw. Berechtigung, Stromkreise und Geräte/Systeme gemäß den Standards der Sicherheitstechnik ein- und auszuschalten, freizuschalten, zu erden und zu kennzeichnen.

1. Sicherheitshinweise

- Ausbildung oder Unterweisung gemäß dem Standard der Sicherheitstechnik in Pflege und Gebrauch angemessener Sicherheitsausrüstung.

D



Benützen Sie dieses Produkt nicht in Sicherheits- oder in Notaus-Einrichtungen oder in Anwendungen wo ein Fehlverhalten des Gerätes die Verletzung von Personen zur Folge haben kann.

Wird dieser Hinweis nicht beachtet, so kann dies zu Verletzung oder zum Tod von Personen führen.

2. Produktbeschreibung

Die Digitalanzeige HYDRA-Indicator ist ein Anzeigegerät für das Normsignal 4 ... 20 mA.

Dieses Signal wird als Ausgangssignal direkt durchgeschleift. Das Gerät versorgt sich direkt aus der Stromschleife, d. h. es ist keine zusätzliche Hilfsenergie erforderlich.

Zusätzlich stehen zwei galvanisch getrennte Schaltausgänge zur Verfügung, die einzeln mit externen Bedientasten einstellbar sind.

Der Messwert wird auf einem 4-stelligen LED-Display mit einem Anzeigebereich von -999 ... 6000 angezeigt.

Die Anpassung des Anzeigegeräts an den Messumformer erfolgt ohne externe Hilfsmittel direkt vor Ort.

Hierzu verfügt das Anzeigegerät über drei Bedientasten.

Mit diesen Tasten können die Einheit (psi, bar, kPa, MPa und kg/cm^2), der Dezimalpunkt, der Anzeigebereich, der Nullpunkt und die Schaltpunkte eingestellt werden.

D

3. Technische Daten

Spezifikationen

D

Anzeige		
■ Prinzip		7-Segment-LED, rot, 4-stellig, Ziffernhöhe 7 mm
■ Umfang		-999 ... 6000
■ Genauigkeit	% d. Spanne	≤ 0,5 ± 1 Digit
Skalierungseinstellung		
		Menügeführte Programmierung mit externen Bedientasten
		Messbereich einstellbar
		Dezimalpunkt frei wählbar
		Programmierbare Druckeinheiten: bar, psi, kg/cm ² , MPa, kPa
		Nullpunkt frei einstellbar im Bereich ±12,5 % der Spanne
Eingangssignal	mA	4 ... 20, Zweileiter (Versorgung aus Stromschleife, 6 V Spannungslast)
Ausgangssignal		Analoges Signal wird direkt durchgeschleift
Max. zulässiger Eingang	mA	±40 (kurzzeitig)
CE-Kennzeichen		89/336/EWG Störemission und Störfestigkeit nach EN 61 326
Schaltausgang		
■ Anzahl		2 x NPN Open-Collector galvanisch getrennt
■ Funktion		Schließer, Öffner
■ Einstellung		frei einstellbar im Bereich 1 ... 99 % der Spanne
■ Temperaturfehler		< 0,1% / 10 K
■ Genauigkeit	% d. Spanne	≤ 0,5 ± 1 Digit
■ Max. Schaltstrom	mA	300
■ Anzeige des Schaltstatus		LED
■ Einstellzeit	ms	< 15
■ Hysterese	%	0,5 (fest eingestellt)

2460536 01/2003 GB/D

3. Technische Daten

Spezifikationen

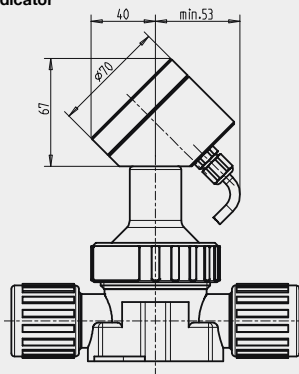
Hilfsenergie	VDC	16 ... 30 bei 4 ... 20 mA
Einfluss der Hilfsenergie		< 0,1% / 10 V
Zulässige Temperaturen		
■ Umgebung	°C	- 30 ... +85
■ Lagerung	°C	- 30 ... +85
■ Kompensiert	°C	- 20 ... +80
Temperaturfehler	% d.Spanne	< 0,1/10K
Vibrationsbelastbarkeit	g	5 bei 10 ... 2000 Hz
Schockbelastbarkeit	g	100
Elektrischer Anschluss		5 m Kabelausgang
Schutzart nach IEC 60529 / EN 60529		IP 67
Elektrische Schutzarten		Verpolungsschutz +Us/-Us
Fehlermeldungen		Err 1: Messbereich überschritten Err 2: Messbereich unterschritten Err 3: Anzeigebereich überschritten Err 4: Anzeigebereich unterschritten
Material		
■ Gehäuse		PP und PFA
■ Kabel		PTFE ummantelt
Montage		Panel mount Ø 64 mm oder auf Druckmessumformer HYDRA-Dry montiert
Maße	mm	siehe Abmessungen

D

3. Technische Daten

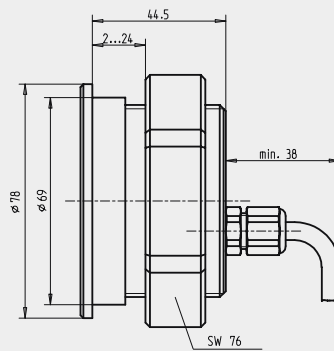
3.1 Abmessungen

Integrierter HYDRA-Indicator



2480187.01

HYDRA-Indicator panel-mount



2479113.01

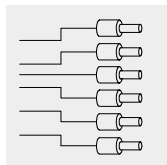
Änderungen und den Austausch von Werkstoffen behalten wir uns vor.
Die beschriebenen Geräte entsprechen in ihren Konstruktionen, Maßen und Werkstoffen dem derzeitigen Stand der Technik.

2480586 01/2003 GB/D

4. Elektrischer Anschluss

4. Elektrischer Anschluss

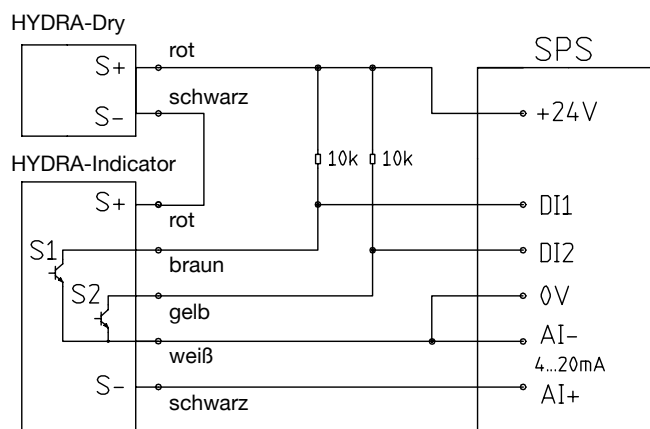
Kabelausgang



rot	Versorgungsspannung +UB, S+
schwarz	Versorgungsspannung 0V, S-
blau	nicht belegt
weiß	Schaltausgang Masse (potentialfrei)
braun	Schaltausgang out1
gelb	Schaltausgang out2

D

Beispiel für den Anschluss einer speicherprogrammierbaren Steuerung (SPS)



2480536 01/2003 GB/D

5. Inbetriebnahme der Anzeige








5.1 Funktionen

Folgende Funktionen stehen zur Verfügung:

D

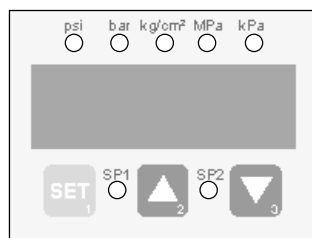
- Auswahl der Konfigurationseinheit
- Auswahl der Position des Dezimalpunkts
- Einstellung des kleinsten Anzeigewerts
- Einstellung des größten Anzeigewerts
- Einstellung des Schaltpunkts für Ausgang 1
- Einstellung der Schaltfunktion für Ausgang 1
- Einstellung des Schaltpunkts für Ausgang 2
- Einstellung der Schaltfunktion für Ausgang 2
- Auswahl der Anzeigeeinheit
- Eingabe der Nullpunktverschiebung (Offset)

5.2 Tastenfunktionen

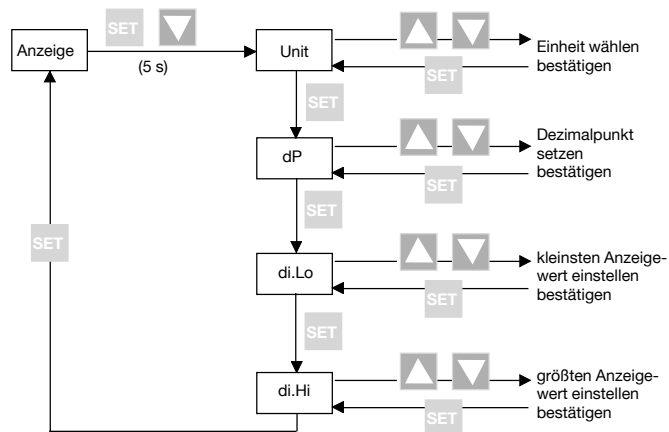
-  Einstellen der Schaltpunkte und -funktionen (s. 5.4)
-  Einheit ändern - nach links (s. 5.5)
-  Einheit ändern - nach rechts (s. 5.5)
-  +  Eingabe Nullpunktverschiebung (s. 5.6)
-  +  Konfiguration (s. 5.3)

5. Inbetriebnahme der Anzeige

5.3 Konfiguration (Anpassung der Anzeige an den Messumformer)



D



- Drücken Sie die Tasten 1 und 3 gleichzeitig für fünf Sekunden; in der Anzeige erscheint "Unit" (Einheit).

2480536 01/2003 GB/D

5. Inbetriebnahme der Anzeige

D

- Wählen Sie mit den Tasten 2 und 3 die gewünschte Einheit aus.
- Bestätigen Sie den eingestellten Wert mit der Taste 1; in der Anzeige erscheint wieder "Unit".
- Drücken sie kurz die Taste 1; in der Anzeige erscheint "dP" (Dezimalpunkt).
- Wählen Sie mit den Tasten 2 und 3 die gewünschte Position des Dezimalpunktes aus.
- Bestätigen Sie den eingestellten Wert mit Taste 1; in der Anzeige erscheint wieder "dP".
- Drücken sie nochmals die Taste 1; in der Anzeige erscheint "di.Lo" (Display low).
- Stellen Sie mit den Tasten 2 und 3 den kleinsten Anzeigewert ein, d.h. den Anzeigewert bei 4 mA bzw. bei 0 V (zulässiger Bereich: -999 bis maximaler Anzeigewert).
- Bestätigen Sie den eingestellten Wert mit der Taste 1; in der Anzeige steht wieder "di.Lo".
- Drücken Sie kurz die Taste 1; in der Anzeige erscheint "di.Hi" (Display high).
- Stellen Sie mit den Tasten 2 und 3 den größten Anzeigewert ein, d.h. den Anzeigewert bei 20 mA, 5 V oder 10 V (zulässiger Bereich: minimaler Anzeigewert bis 6000).
- Bestätigen Sie den eingestellten Wert mit der Taste 1; in der Anzeige erscheint wieder "di.Hi".

2460536 01/2003 GB/D

5. Inbetriebnahme der Anzeige

- Drücken Sie kurz die Taste 1; die Anzeige erlischt kurz und signalisiert damit, dass die Einstellungen in den internen Speicher übernommen werden. Anschließend wird wieder der Messwert angezeigt.

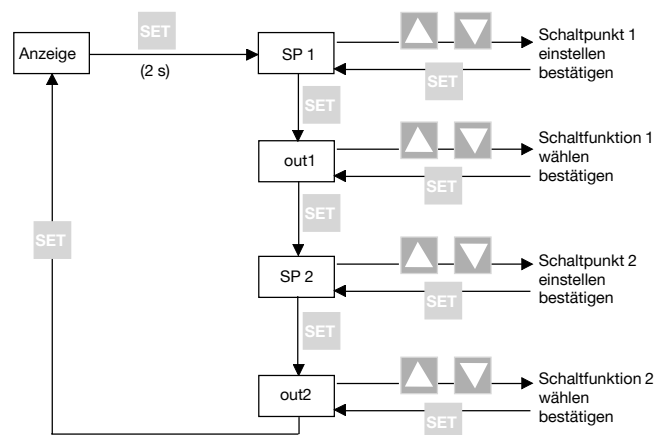


Hinweis

Wird bei der Einstellung für zehn Sekunden keine Taste gedrückt, so wechselt das Gerät automatisch wieder in die übergeordnete Menüebene. Nach weiteren 60 Sekunden ohne Tastendruck in der Menüebene führt das Gerät automatisch einen Neustart durch. Eventuell gemachte Änderungen werden hierbei nicht abgespeichert.

D

5.4 Einstellen der Schaltpunkte und der Schaltfunktionen



2480536 01/2003 GB/D

5. Inbetriebnahme der Anzeige

- Drücken Sie die Taste 1 für zwei Sekunden; in der Anzeige erscheint "SP 1".
- Stellen Sie mit den Tasten 2 und 3 den gewünschten Schalterpunkt für Schaltausgang 1 ein (zulässiger Bereich: minimaler Anzeigewert bis maximaler Anzeigewert).

D

Rollfunktion:

Die Tasten 2 und 3 sind bei der Eingabe von Werten mit einer "Roll-Funktion" ausgestattet. Wird die Taste kurz gedrückt ändert sich der Anzeigewert jeweils um eine Stelle. Wird die Taste länger gedrückt (> 1 Sekunde) beginnt der Wert auf- bzw. abwärts zu zählen, wobei die Geschwindigkeit nach ca. sechs Sekunden erhöht wird.

- Bestätigen Sie den eingestellten Wert mit der Taste 1; in der Anzeige erscheint wieder "SP 1".
- Drücken sie nochmals die Taste 1; in der Anzeige erscheint "out1".
- Wählen Sie mit den Tasten 2 und 3 die gewünschte Schaltfunktion des Ausgangs 1. Es stehen vier Möglichkeiten zur Verfügung:

off: immer aus	on: immer ein
no: Schließer	nc: Öffner

- Bestätigen Sie die Auswahl mit der Taste 1; in der Anzeige erscheint wieder "out1".
- Drücken Sie kurz die Taste 1; in der Anzeige erscheint "SP 2".
- Stellen Sie mit den Tasten 2 und 3 den gewünschten Schalterpunkt für Schaltausgang 2 ein (zulässiger Bereich: minimaler Anzeigewert bis maximaler Anzeigewert).

2460536 01/2003 GB/D

5. Inbetriebnahme der Anzeige

- Bestätigen sie den eingestellten Wert mit der Taste 1; in der Anzeige erscheint wieder "SP 2".
- Drücken Sie nochmals die Taste 1; in der Anzeige erscheint "out2".
- Wählen Sie mit den Tasten 2 und 3 die gewünschte Schaltfunktion des Ausgangs 2.
- Bestätigen Sie die Auswahl mit der Taste 1; in der Anzeige steht wieder "out2".
- Drücken Sie kurz die Taste 1; die Anzeige erlischt kurz und signalisiert damit, dass die Einstellungen in den internen Speicher übernommen werden. Anschließend wird wieder der Messwert angezeigt.

D



Hinweis

Wird bei der Einstellung für zehn Sekunden keine Taste gedrückt, so wechselt das Gerät automatisch wieder in die übergeordnete Menüebene. Nach weiteren 60 Sekunden ohne Tastendruck in der Menüebene führt das Gerät automatisch einen Neustart durch. Eventuell gemachte Änderungen werden hierbei nicht abgespeichert.

5.5 Auswahl der Anzeigeeinheit

- Wählen Sie mit den Tasten 2 und 3 die gewünschte Einheit.

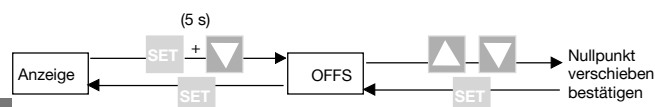


Hinweis

Wird eine Einheit bei der Auswahl übersprungen, bedeutet dies, dass die Anzeige des Wertes in dieser Einheit nicht möglich ist.

5. Inbetriebnahme der Anzeige

5.6 Eingabe der Nullpunktverschiebung (Offset)



D

Die Verschiebung des Nullpunkts ermöglicht die Korrektur von Anzeigefehlern, die durch Sensortoleranzen bedingt sind. Der hier eingegebene Wert wird vom Messergebnis subtrahiert, d.h. die Kennlinie wird parallel zum Nullpunkt verschoben.

- Drücken Sie die Tasten 1 und 2 für fünf Sekunden; in der Anzeige erscheint "OFFS" (Offset).
- Geben Sie mit den Tasten 2 und 3 die gewünschte Nullpunktverschiebung ein (zulässiger Bereich: + 12,5 % der Anzeigespanne).
- Bestätigen Sie den eingestellten Wert mit der Taste 1; in der Anzeige erscheint wieder "OFFS".
- Drücken sie kurz die Taste 1; der Messwert wird wieder angezeigt.



Hinweis

Wird bei der Nullpunktverschiebung für zehn Sekunden keine Taste gedrückt, so wechselt das Gerät automatisch wieder in die übergeordnete Menüebene. Nach weiteren 60 Sekunden ohne Tastendruck in der Menüebene führt das Gerät automatisch einen Neustart durch. Eventuell gemachte Änderungen werden hierbei nicht abgespeichert.

2460536 01/2003 GB/D

6. Fehlersuche und Service

Erkennt das Gerät unzulässige Betriebszustände, erscheint ein entsprechender Fehlercode in der Anzeige:

Err.1: Messbereich überschritten

Diese Fehlermeldung bedeutet, dass der Messbereich des Gerätes überschritten wird. Der Messbereich kann um zwei Prozent der Messbereichsspanne überschritten werden.

mögliche Fehlerursache:

- Eingangssignal zu groß
- Transmitter defekt oder nicht geeignet
- Kurzschluss der Transmitteranschlussleitung

Abhilfe: Err.1 wird zurückgesetzt, sobald der Messbereich nicht mehr überschritten wird. Bitte überprüfen Sie hierzu Ihren Transmitter bzw. die Transmitteranschlussleitungen.

Err.2: Messbereich unterschritten

Diese Fehlermeldung bedeutet, dass der Messbereich des Gerätes unterschritten wird. Der Messbereich kann um zwei Prozent der Messbereichsspanne unterschritten werden.

mögliche Fehlerursache:

- Eingangssignal zu klein
- Transmitter defekt oder nicht geeignet
- Kurzschluss der Transmitteranschlussleitung

Abhilfe: Err.2 wird zurückgesetzt, sobald der Messbereich nicht mehr unterschritten wird. Bitte überprüfen Sie hierzu Ihren Transmitter bzw. die Transmitteranschlussleitungen.

2480536 01/2003 GB/D

6. Fehlersuche und Service



Hinweis

Solange die Fehlermeldung Err.2 angezeigt wird, sind die Tasten gesperrt.

D

Err.3: Anzeigebereich überschritten

Diese Fehlermeldung bedeutet, dass der maximal mögliche Anzeigewert von 6000 Stellen überschritten wird.

mögliche Fehlerursache: ■ Der Anzeigewert kann in der gewählten Anzeigeeinheit nicht angezeigt werden.

Abhilfe: Err.3 wird zurückgesetzt, sobald der Anzeigebereich nicht mehr überschritten wird.

Err.4: Anzeigebereich unterschritten

Diese Fehlermeldung bedeutet, dass der minimal mögliche Anzeigewert von -999 Stellen unterschritten wird.

mögliche Fehlerursache: ■ Der Anzeigewert kann in der gewählten Anzeigeeinheit nicht angezeigt werden.

Abhilfe: Err.4 wird zurückgesetzt, sobald der Anzeigebereich nicht mehr unterschritten wird.

2460536 01/2003 GB/D

WIKA Global

Europe/Middle East/ Africa

Austria

WIKA-Messgerätevertrieb
Ursula Wiegand GmbH & Co. KG
Tel.: 0043/1/869 16 31
E-Mail: info@wika.at

Benelux / Netherlands

WIKA Benelux
Tel.: 0031/475/53 55 00
E-Mail: info@wika.nl

Finland

WIKA Finland Oy
Tel.: 00358/9/682 49 20
E-mail: wika@wika.fi

France

WIKA Instruments s.a.r.l.
Tel.: 0033/1/34 30 84 84
E-Mail: info@wika-instruments.fr

Germany

WIKA Alexander Wiegand GmbH & Co. KG
Tel.: 0049/9372/132-0
E-Mail: info@wika.de

Italy

WIKA Italiana S.r.l.
Tel.: 0039/02/93 97 00 1
E-Mail: info@wika.it

Russia

ZAO „WIKA MERA“
Tel.: 007-503-234 44 32
E-Mail: info@wika.ru

Kazakhstan

TOO WIKA Kasachstan
Tel.: 007-3272-925 638
E-Mail: wika-kazakhstan@nursat.kz

South Africa

WIKA Instruments (Pty.) Ltd.
Tel.: 0027/11/621 00 00
E-Mail: sales@wika.co.za

Spain

Instrumentos WIKA S.A.
Tel.: 0034/93/746 44 45
E-Mail: info@wika.es

Switzerland

Manometer AG
Tel.: 0041/41/919 72 72
E-Mail: info@manometer-ag.ch

United Arab Emirates

WIKA Middle East FZE
Tel.: 00971/4/88 90 90
E-Mail: wikame@emirates.net.ae

United Kingdom

WIKA Instruments Limited
Tel.: 0044/208/763 60 00
E-Mail: info@wika.co.uk

America

Argentina

WIKA Argentina S.A.
Tel.: 005411/4730/1800
E-Mail: info@wika.com.ar

Brazil

WIKA do Brasil Industria e Comercio
Tel.: 0055/152/66 16 55
E-Mail: wika@splicenet.com.br

Canada

WIKA Instruments Ltd.
Tel: 001/780/463-7035
E-Mail: info@wika.ca

U.S.A.

WIKA Instrument Corporation
Tel.: 001/770/513 82 00
E-Mail: info@wika.com

D

WIKA Global

Asia/Pacific

Australia

WIKA Australia Pty. Ltd.
Tel.: 0061/3/98 70 06 66
E-Mail: sales@wika.com

D

China

WIKA Instrumentation
Tel.: 0086/512/825 80 67
E-Mail: wikainst@public1.sz.js.cn

India

WIKA Instruments India Pvt. Ltd.
Tel.: 0091-20-68 20 31
E-Mail: wika@pn2.vsnl.net.in

Indonesia

WIKA Indonesia
Tel.: 0062/21/55 95 21 52
E-Mail: handie@indo.net.id

Japan

WIKA JAPAN K. K.
Tel.: 0081/-3-5777-0589
E-Mail: m-gawronski@wika.co.jp

Korea

WIKA Korea Ltd.
Tel.: 0082-2-869-0505
E-Mail: info@wika.co.kr

Malaysia

WIKA Malaysia
Tel. 00 60-3-46 13 355
E-Mail: ktsee@tm.net.my

Singapore

WIKA Singapur
WIKA Instrumentation Pte Ltd
Tel.: 0065 - 8445506

Technische Änderungen vorbehalten.
Technical alteration rights reserved.



WIKA Alexander Wiegand GmbH & Co. KG

Alexander-Wiegand-Straße 30
63911 Klingenberg • Germany
Phone (+49) 93 72/132-0
Fax (+49) 93 72/132-406
E-Mail info@wika.de
www.wika.de

2460536 01/2003 GB/D