

Bourdon Tube Pressure Gauges

for Clean Dry Air Applications

with Twist Lock Window • Model 131.15

Pressure Gauges

Service intended

Suitable for gaseous, liquid and corrosive media, also in a corrosive environment, **for demanding high purity applications.**
 Suitable for all CDA (Clean Dry Air) applications.
 Fields of application are especially the semiconductor and electronic industry, medical industry, gene technology, biotechnology and pharmaceutical industry.

Design

Leak proof, leak rate $\leq 10^{-8}$ mbar • l/s
 pressure connection NPT thread (standard) resp. original VCR® Fitting with front sealing pressure connection

Nominal size

2 "

Accuracy

2/1/2% of span (ASME B 40.1 Grade A) in compliance with accuracy class 1.6 per EN 837-1 /6

Scale ranges

0 ... 1 to 0 ... 400 bar (EN 837-1 /5)
 0 ... 15 to 0 ... 6000 psi (ASME B 40.1)
 or other equivalent units of pressure or vacuum

Working pressure

Steady: $\frac{3}{4}$ x of full scale value
 Fluctuating: $\frac{2}{3}$ x of full scale value
 Short time: full scale value

Operating temperature

Ambient: -40 ... +60 °C
 Medium: +100 °C maximum

Temperature effect

When temperature of the pressure element deviates from reference temperature (+20 °C):
 max. $\pm 0.4\%$ /10 K of true scale value

Pressure connection

Material: stainless steel 316 L (1.4404),
 lower mount (LM) or centre back mount (CBM),
 surface finish $R_a \leq 0,6 \mu\text{m}$

- $\frac{1}{4}$ NPT - male thread (standard)
- VCR® compatible face seal fittings:
 with union nut (female)
 with male nut
- Fixed body 9/16-18 UNF
- Welding connection

Pressure element

Material: stainless steel 316 L (1.4404),
 < 100 bar: C-type
 ≥ 100 bar: helical type

Movement

Stainless steel



Model 131.15
 ● VCR® - male nut

Dial

White aluminium, with pointer stop pin
 With black/red lettering, dual pressure scale (psi/bar),
 red inscription "use no oil"

Pointer

Black aluminium pointer

Case

Stainless steel, with pressure relief

Window and bezel

One-piece polycarbonate, screw on (Twist Lock)

Cleaning

Cleaned for oxygen service to ASME B 40.1 (Level I)

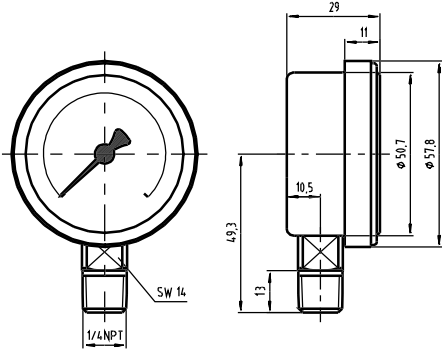
Optional extras

- Better finish for wetted parts
 (pressure connection) $R_a \leq 0.3 \mu\text{m}$
- Case stainless steel, electropolished
- 3-hole panel mounting flange, stainless steel, electro polished,
 with clamp (back entry only)
- Panel mounting clamp, stainless steel, (back entry only)
- Alarm contacts
 Electronic contact with NPN output (**Model 830.1E**)

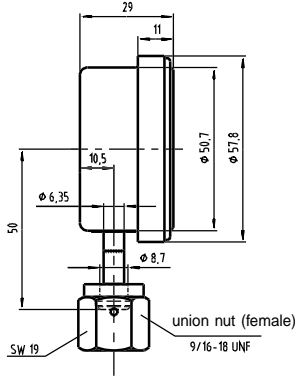
Dimensions [mm]

Radial bottom pressure entry (LM)

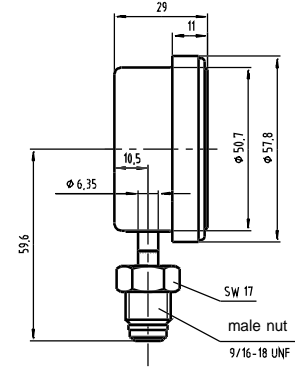
1/4 " NPT male



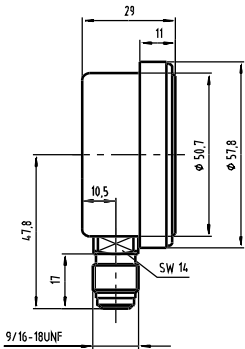
VCR[®] union nut (female) SS-4-VCR-1



VCR[®] male nut SS-4-VCR-4

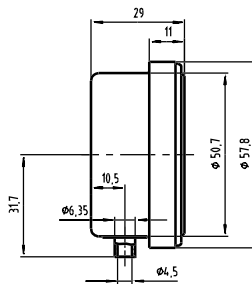


Fixed body 9/16-18 UNF



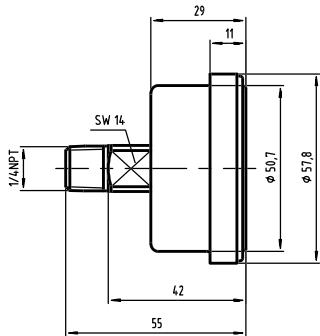
2099 226.02

Welding connection

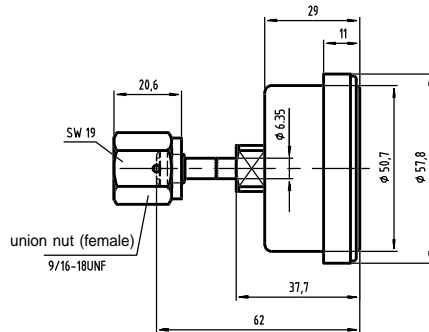


Centre back pressure entry (CBM)

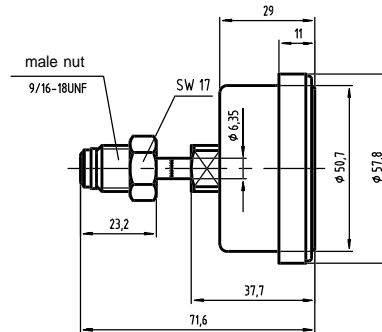
1/4 " NPT male



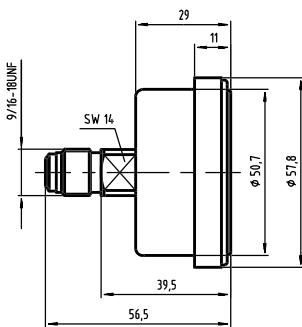
VCR[®] union nut (female) SS-4-VCR-1



VCR[®] male nut SS-4-VCR-4

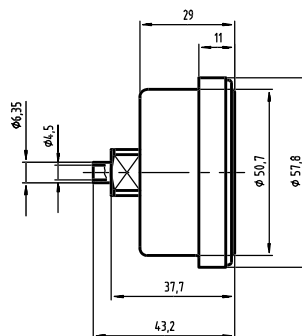


Fixed body 9/16-18 UNF



2099 218.02

Welding connection



Ordering information

State:

Pressure gauge model / Nominal size / Scale range / Size and location of connection / Optional extras required

Specifications and dimensions given in this leaflet represent the state of engineering at the time of printing. Modifications may take place and materials specified may be replaced by others without prior notice.



WIKA Alexander Wiegand GmbH & Co. KG
 Alexander-Wiegand-Straße · 63911 Klingenberg
 Tel.: (0 93 72) 132-0 · Fax: (0 93 72) 132-406
 http://www.wika.de · E-mail: info@wika.de