

Sensor elements and assemblies, piezo

Model SPR-2, sensor element

Model TPR-2, sensor assembly

WIKA data sheet PE 81.62

Applications

- Applications with limited mounting space
- Design-in solutions

Special features

- Measuring ranges from 0 ... 0.4 to 0 ... 16 bar (gauge and absolute pressure)
- Measuring cell from stainless steel
- High measuring sensitivity
- High stability

**Examples for models SPR-2 and TPR-2**

Description

Design

The heart of the measuring cell is a silicon chip, which is pressurised via a pressure transmission medium. As pressure transmission medium, a suitable filling liquid for the respective application is used.

A diaphragm and a case from stainless steel make the transducer highly resistant to a wide variety of media.

Individual solutions

The pressure transducers are manufactured on a flexible production line and can be individually adapted to suit customer requirements.

Special features

The pressure transducer can be delivered either with or without linear temperature compensation. Alternatively, a test certificate for the sensor cell can be supplied with it, for active temperature compensation by the customers themselves.

The assembly and connection concept guarantees a very high overload and burst pressure safety. The silicon chip provides a high measuring sensitivity, which enables measurement of even the lowest pressures.

Measuring ranges

Gauge pressure and absolute pressure (bar)				
0 ... 0.4	0 ... 1	0 ... 1.6	0 ... 2.5	0 ... 4
0 ... 6	0 ... 10	0 ... 16		

Other measuring ranges on request.

Overload safety

3 times

Burst pressure safety

5 times

Vacuum tightness

Yes

Output signals

Without temperature compensation

12 ... 50 mV/V (depending on measuring range)

With temperature compensation

4.5 ... 23.5 mV/V (depending on measuring range)

Voltage supply

Power supply

Max. DC 10 V

Reference conditions (per IEC 61298-1)

Temperature

15 ... 25 °C [59 ... 77 °F]

Atmospheric pressure

860 ... 1,060 mbar [12.5 ... 15.4 psi]

Air humidity

45 ... 75 % r. h.

Power supply

DC 10 V

Mounting position

As required

Time response

Settling time (10 ... 90 %)

< 1 ms

Accuracy specifications

Zero point offset

Without temperature compensation: $\leq \pm 10$ mV/V

With temperature compensation: $\leq \pm 2$ mV/V

Bridge resistance

Bridge resistance		
	UB+/0V	S+/S-
With temperature compensation	8 ... 16.5 k Ω	4 ... 18 k Ω
Without temperature compensation	4 ... 6.5 kOhm	

Legend

UB+ Positive power supply terminal
 0V Negative power supply terminal
 OUT+ Positive terminal for analogue output
 OUT- Negative terminal for analogue output

Compensated temperature range

Compensated temperature range	
Standard	without temperature compensation
Option	-20 ... +85 °C [-4 ... +185 °F]

Temperature error

Without temperature compensation	
	Max. temperature coefficient
Zero point	-1.5 ... +2.5 % of span/10 K (depending on measuring range)
Span	-2.4 ... -1.4 % of span/10 K

With temperature compensation		
	Measuring range	Max. temperature error
Zero point	0 ... 0.4 bar	$\leq \pm 2.5$ % of span
	0 ... 1 to 0 ... 2.5 bar	$\leq \pm 1.5$ % of span
	0 ... 4 to 0 ... 25 bar	$\leq \pm 0.75$ % of span
Span	0 ... 0.4 bar	$\leq \pm 1$ % of span
	0 ... 1 to 0 ... 25 bar	$\leq \pm 0.75$ % of span

Non-linearity (BFSL)

$\leq \pm 0.3$ % of span

$\leq \pm 0.4$ % for 0...0.4 bar version

Hysteresis

$\leq \pm 0.03$ % of span

Non-repeatability

$\leq \pm 0.03$ % of span

Long-term stability

$\leq \pm 0.2$ % of span/year

Operating conditions

Permissible temperature ranges

Medium: -40 ... +125 °C [-40 ... +257 °F]

Ambient: -40 ... +125 °C [-40 ... +257 °F]

Storage: -40 ... +125 °C [-40 ... +257 °F]

Valid for standard filling liquid (synthetic oil).

Other filling liquids on request.

Service life

> 100 million load cycles

Process connections

On request

Electrical connections

On request

Electrical protective measures

High-voltage strength

DC 500 V

Insulation resistance

> 1 GΩ

Materials

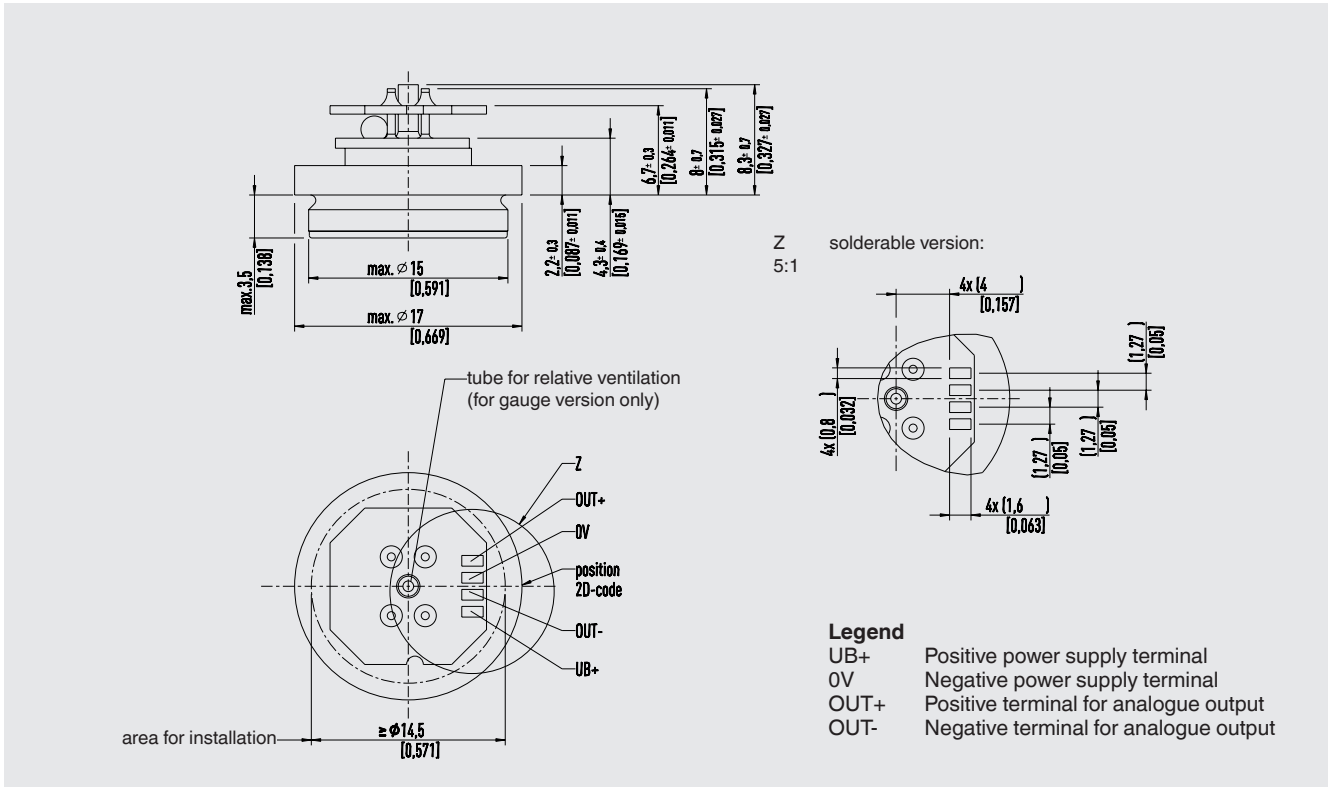
Wetted parts

Stainless steel

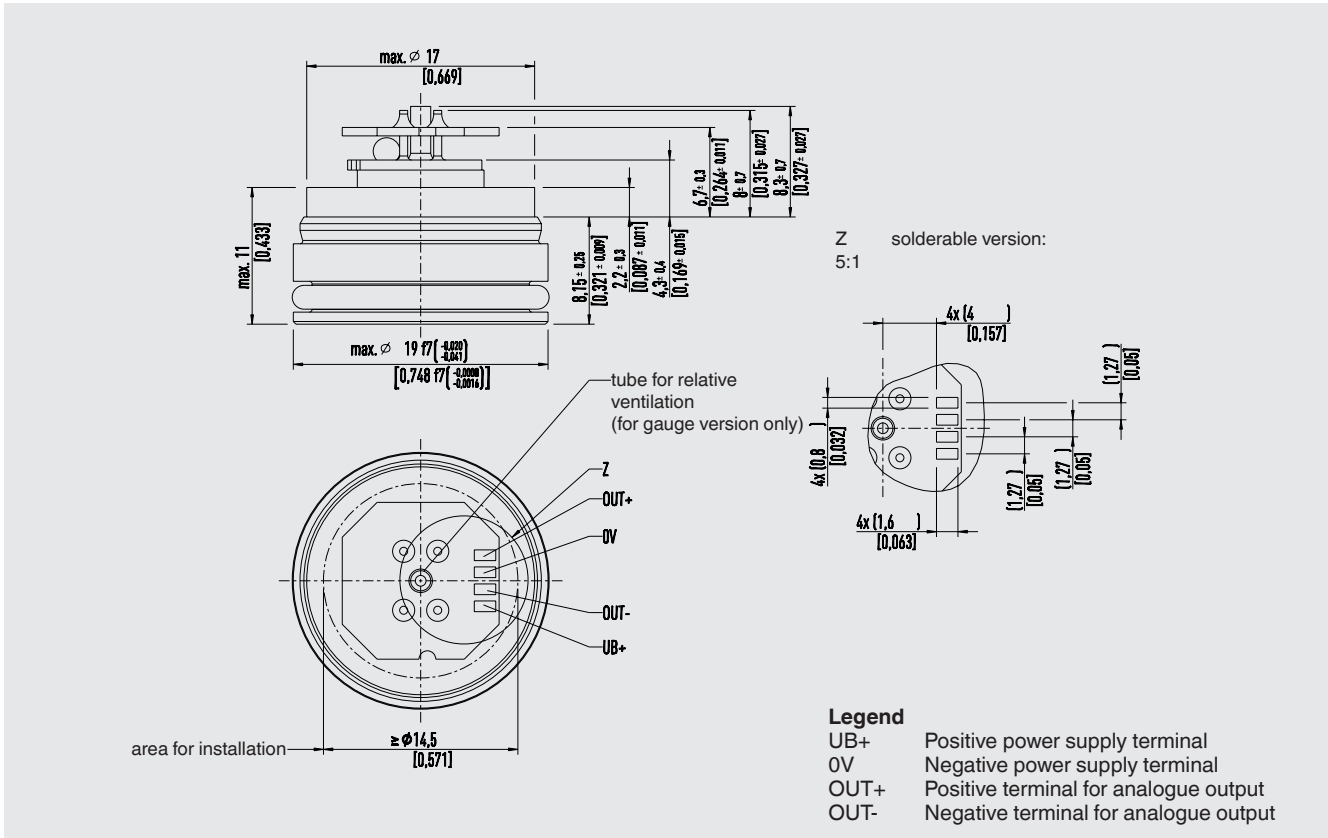
Other materials on request.

Dimensions in mm

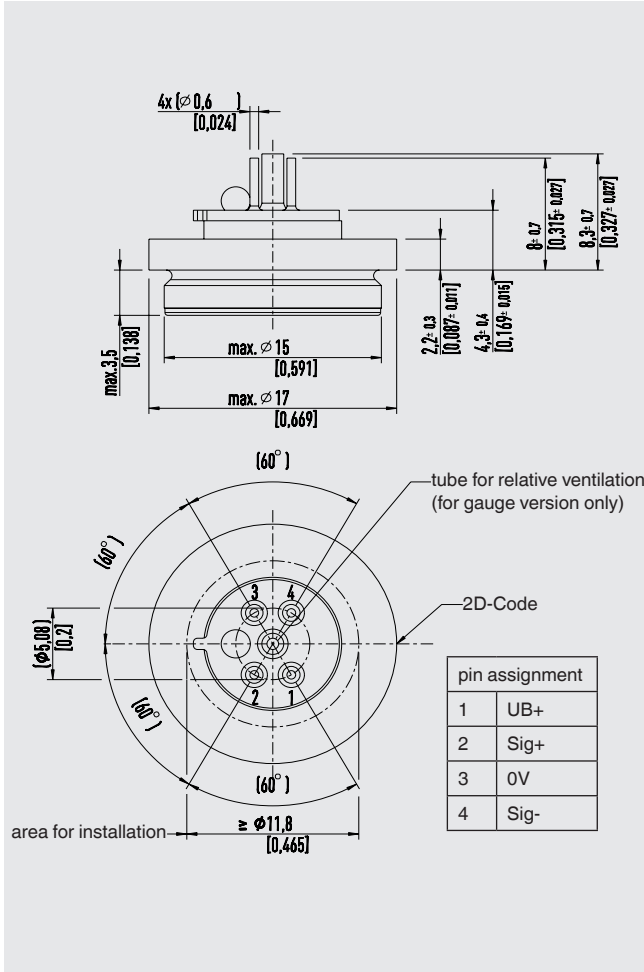
Model SPR-2 with temperature compensation



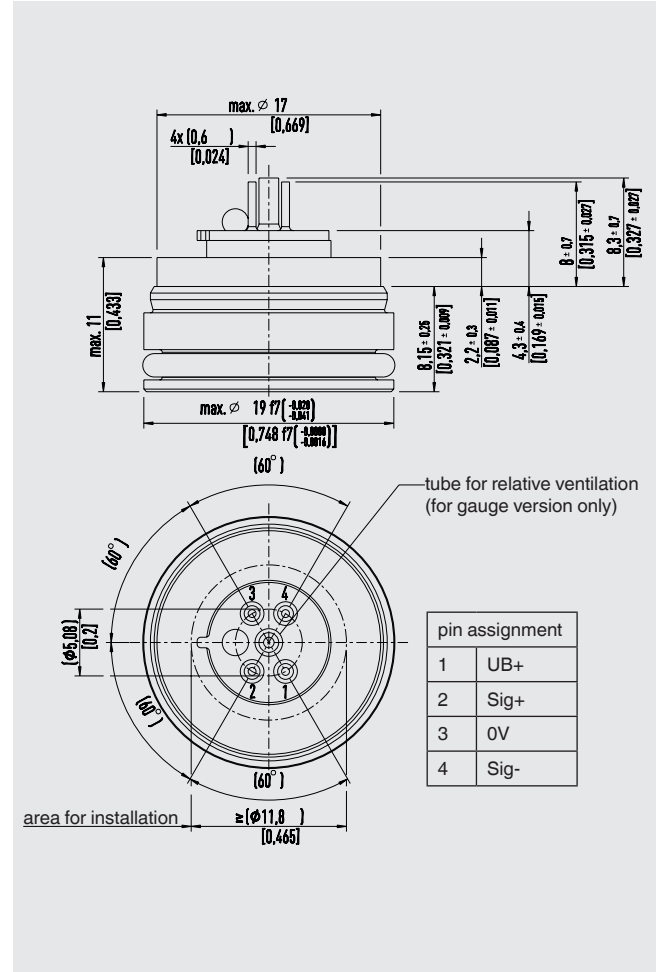
Model TPR-2 with temperature compensation, with O-ring sealing contour



Model SPR-2 without temperature compensation



Model TPR-2 without temperature compensation, with O-ring sealing contour



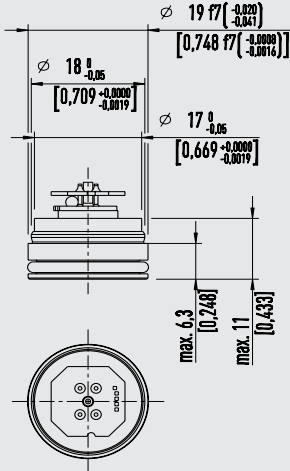
Legend

- UB+ Positive power supply terminal
- 0V Negative power supply terminal
- OUT+ Positive terminal for analogue output
- OUT- Negative terminal for analogue output

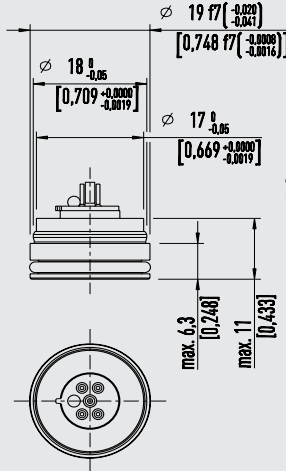
Installation recommendation for TPR-2 with O-ring sealing contour

The maximum dimensions and thermal expansion coefficients of the materials used must be observed for the installation. In all operating states, the mounted sensor element must have sufficient play in the axial direction.

Version with temperature compensation

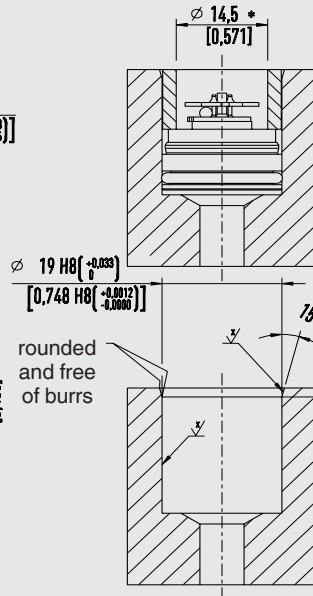


Version without temperature compensation

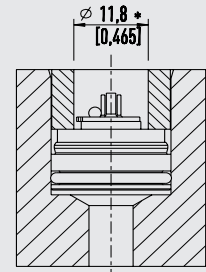


O-ring
 Size: D15.6 x 1.78 ISO 3601
 Material: Is to be defined by the user, depending on the medium and the temperature. For mounting, adequate sliding properties of the O-ring must be ensured.

Mounting geometry for version with temperature compensation



Mounting geometry for version without temperature compensation



* Value must not be less than stated

$$\sqrt{x} = \sqrt{Ra 1.6}$$

Ordering information

Measuring range / Temperature compensation / Process connection / Electrical connection

© 08/2015 WIKA Alexander Wiegand SE & Co. KG, all rights reserved.
 The specifications given in this document represent the state of engineering at the time of publishing.
 We reserve the right to make modifications to the specifications and materials.



WIKA Alexander Wiegand SE & Co. KG
 Alexander-Wiegand-Straße 30
 63911 Klingenberg/Germany
 Tel. +49 9372 132-0
 Fax +49 9372 132-406
 info@wika.de
 www.wika.de