

Accessories for diaphragm seals

Block flange and saddle flange

Models 910.19, 910.20, 910.23

WIKA data sheet AC 91.01

Applications

- For welding into the product line or heating line for establishing a measuring point connection (block flange)
- For welding onto the process line for establishing a measuring point connection (saddle flange)
- Process industry
- Petrochemical industry

Special features

- For welding into pipes DN 15 ... DN 80 (block flange)
- For welding onto pipes DN 65 ... DN 150 or DN 2 ½" ... 6" (saddle flange)
- For diaphragm seal model 990.15

Description

Depending on customer requirements, the model 990.15 can be subsequently integrated into a process by means of the accessory models 910.19, 910.20 and 910.23.

A safe measuring result for smaller pipe diameters can be guaranteed by connecting the diaphragm seal via a block flange.

Saddle flanges enable the integration of a measuring point into pipelines from a nominal width of DN 65 (2 ½").



Block flange for single pipes, model 910.19



Saddle flange, model 910.20



Block flange for double-jacket pipes, model 910.23

Block flange for single pipes, model 910.19

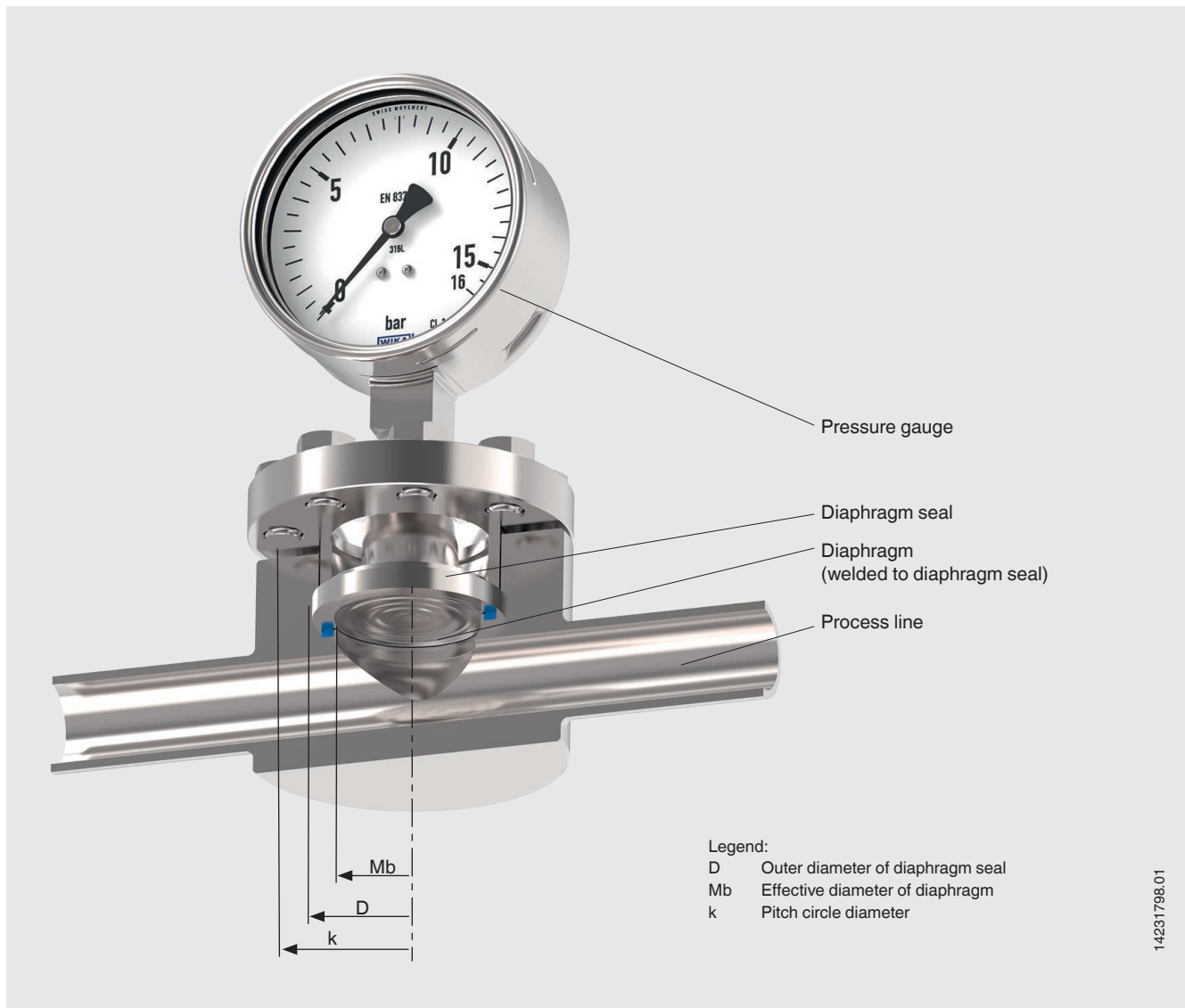
Specifications	Model 910.19
Material	Stainless steel 316Ti (1.4571)
Maximum permissible temperature	- 60 ... +250 °C

Other materials on request.

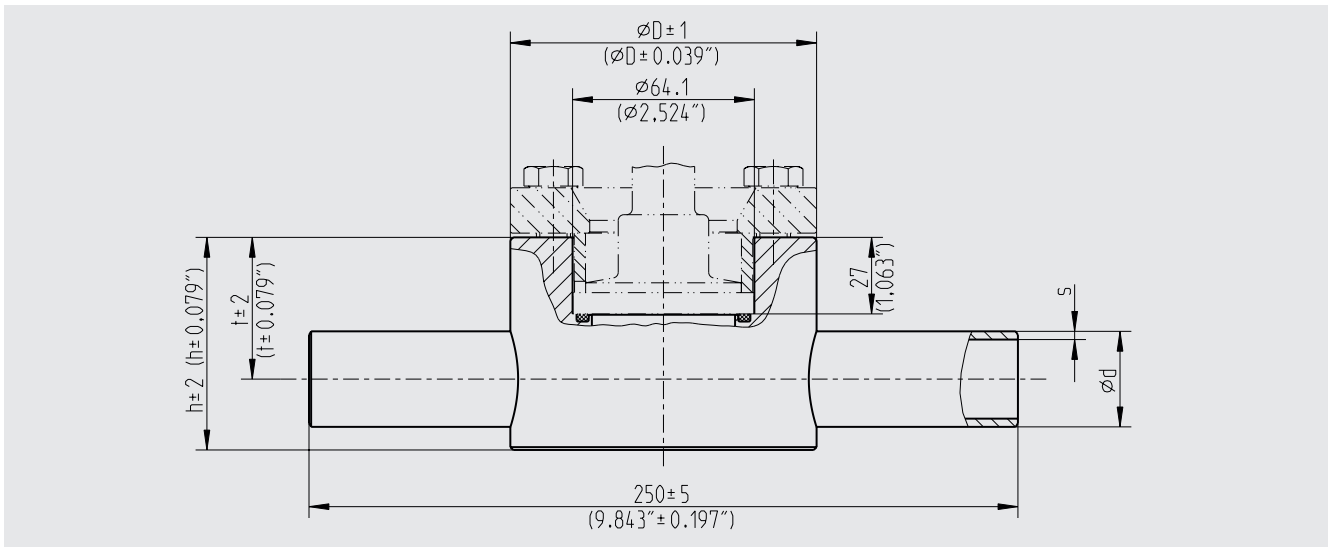
Diaphragm seals and assembly parts for diaphragm seals have to be ordered separately.

For further information on diaphragm seal model 990.15 see data sheet DS 99.35.

Installation example, model 910.19



Dimensions in mm [in]



DN ¹⁾	Permissible process pressure PN ²⁾ as a function of temperature		Dimensions in mm (in)					Weight
	-60 ... ≤ +100 °C (-76 ... ≤ +212 °F)	> 100 ... ≤ 250 °C (> 212 ... ≤ 482 °F)	Ø D	Ø d	s	h	t	kg
15	PN 250	PN 220	108 (4.252)	21.30 (8.386)	2.60 (0.102)	65 (2.559)	45 (1.772)	3.9
20	PN 160	PN 140	108 (4.252)	26.90 (1.095)	2.90 (0.114)	65 (2.559)	45 (1.772)	3.9
25	PN 160	PN 140	108 (4.252)	33.70 (1.051)	2.90 (0.114)	75 (2.953)	50 (1.968)	4.4
32	PN 160	PN 140	108 (4.252)	42.40 (1.669)	3.60 (0.142)	85 (3.346)	55 (2.165)	5.1
40	PN 100	PN 85	90 (3.543)	48.30 (1.902)	2.90 (0.114)	90 (3.543)	57.5 (2.264)	3.3
50	PN 100	PN 85	90 (3.543)	60.30 (2.374)	3.20 (0.126)	105 (4.134)	65 (2.559)	3.7

1) Nominal diameter

2) Nominal pressure rating in bar

Other pipe diameters or nominal sizes on request

Saddle flange model 910.20

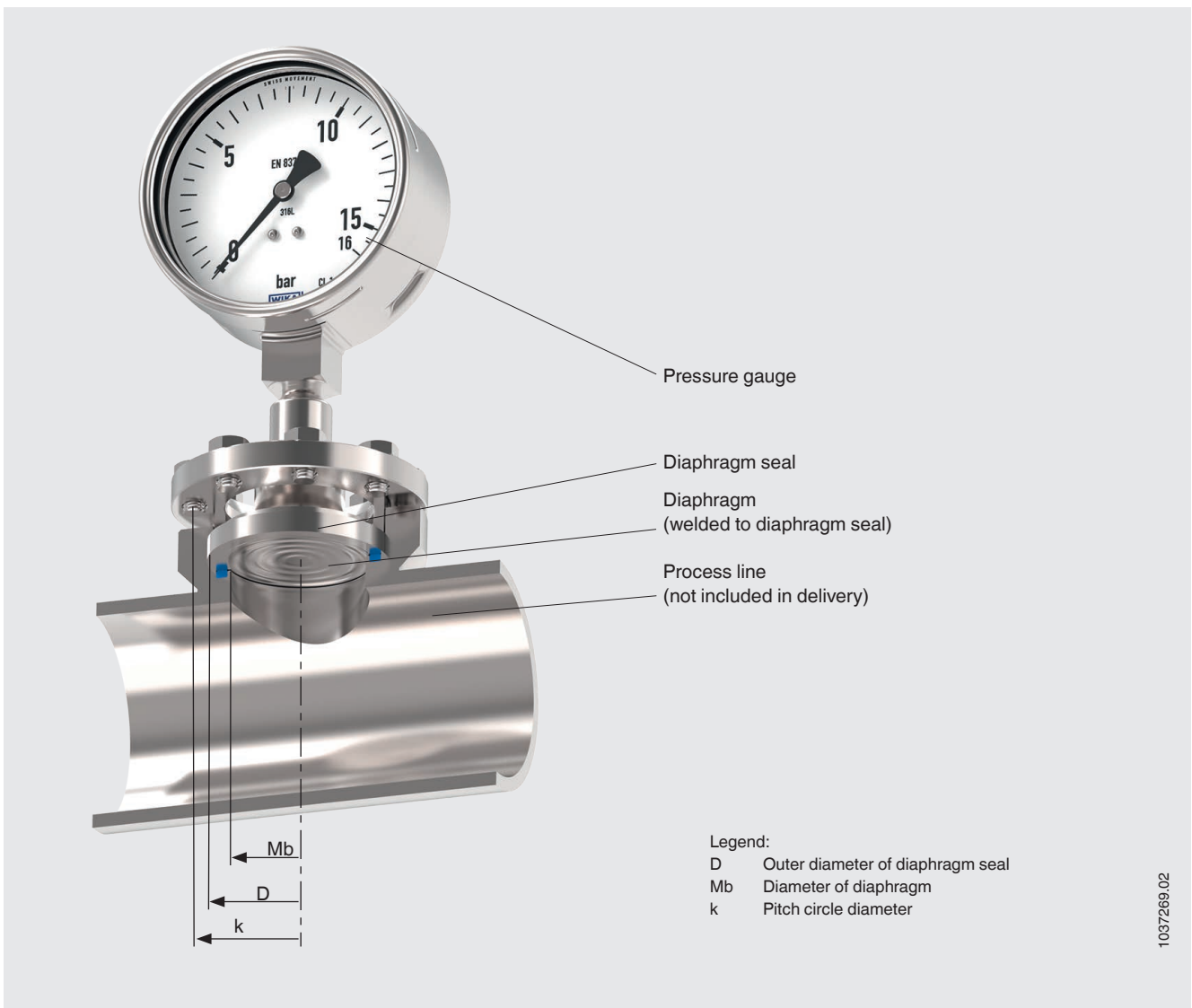
Specifications	910.20
Material	Stainless steel 316L
Maximum permissible temperature	- 60 ... +250 °C

Other materials on request.

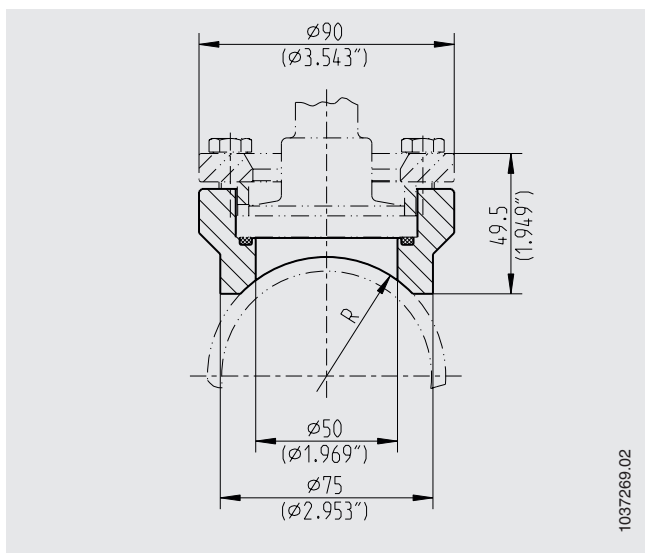
Diaphragm seals and assembly parts for diaphragm seals have to be ordered separately.

For further information on diaphragm seal model 990.15 see data sheet DS 99.35.

Installation example, model 910.20



Dimensions in mm (in)



Radius R in mm (in)	Fitting to the pipe	Outer Ø in mm (in)
	DN ¹⁾	
38 (1.496)	65 (2 ½)	76.1 (29.96)
45 (1.772)	80 (3)	88.9 (3.5)
57 (2.244)	100 (4)	114.3 (4.5)
70 (2.756)	125 (5)	139.7 (5.4)
85 (3.346)	150 (6)	168.3 (6.626)

1) Nominal diameter

Other pipe diameters or nominal sizes on request

Block flange for double-jacket pipes, model 910.23

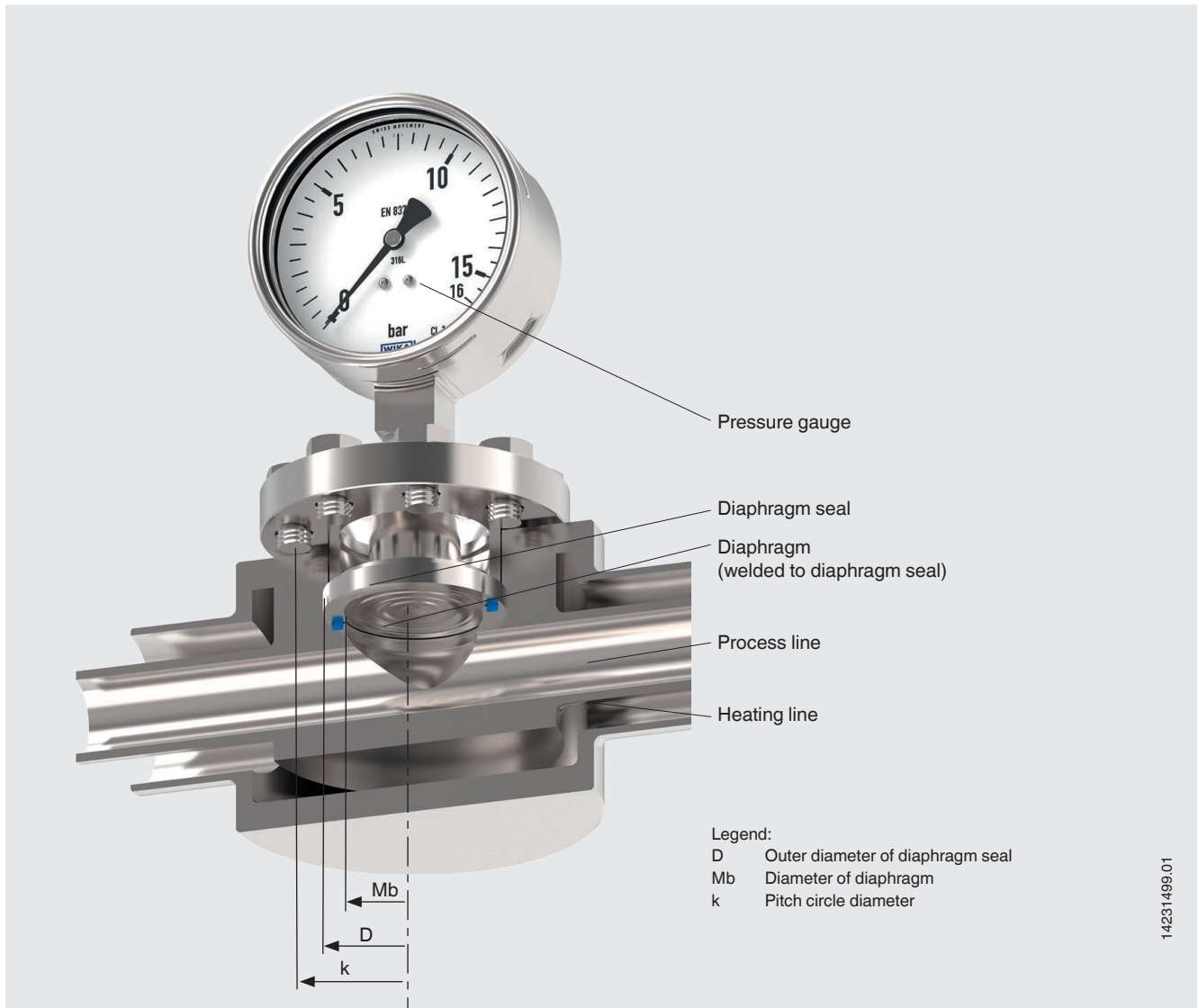
Specifications	910.23
Material	Stainless steel 316Ti (1.4571) Heating line: Steel 1.0305 (St 35.8 l)
Maximum permissible temperature	- 60 ... +250 °C

Other materials on request.

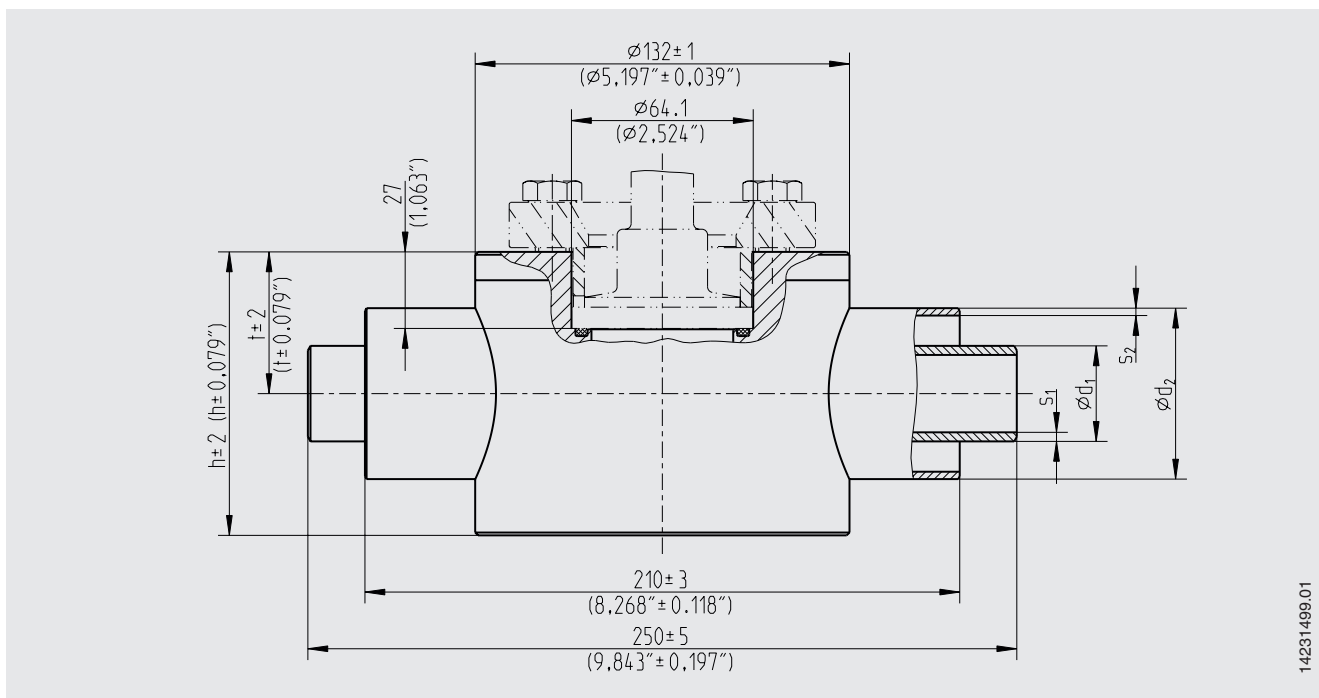
Diaphragm seals and assembly parts for diaphragm seals have to be ordered separately.

For further information on diaphragm seal model 990.15 see data sheet DS 99.35.

Installation example, model 910.23



Dimensions in mm (in)



14231499.01

DN ¹⁾		Permissible process pressure PN ²⁾ as a function of temperature			
Process line	Heating line	-60 ... ≤ +100 °C (-76 ... ≤ +212 °F)		> 100 ... ≤ 250 °C (> 212 ... ≤ 482 °F)	
		Process line	Heating line	Process line	Heating line
15	32	PN 250	PN 40	PN 220	PN 35
20	40	PN 160	PN 40	PN 140	PN 35
25	50	PN 160	PN 40	PN 140	PN 35
32	65	PN 160	PN 40	PN 140	PN 35
40	80	PN 100	PN 40	PN 85	PN 35
50	80	PN 100	PN 40	PN 85	PN 35

DN ¹⁾		Dimensions in mm (in)						Weight
Process line	Heating line	Ø d ₁	s ₁	Ø d ₂	s ₂	h	t	kg
15	32	21.30 (0.839)	2.60 (0.102)	42.40 (1.669)	2.6 (0.102)	85 (3.346)	42.5 (1.673)	6.2
20	40	26.90 (1.59)	2.90 (0.114)	48.30 (1.902)	2.6 (0.102)	90 (3.543)	45 (1.772)	6.5
25	50	33.70 (1.327)	2.90 (0.114)	60.30 (2.374)	2.9 (0.114)	100 (3.937)	50 (1.968)	7.3
32	65	42.40 (1.669)	3.6 (0.142)	76.10 (2.996)	2.9 (0.114)	115 (4.528)	57.5 (2.263)	8.2
40	80	48.30 (1.902)	2.9 (0.114)	88.90 (3.5)	3.2 (0.126)	125 (4.921)	62.5 (2.461)	5.8
50	80	60.30 (2.374)	3.2 (0.126)	88.90 (3.5)	3.2 (0.126)	125 (4.921)	62.5 (2.461)	5.8

1) Nominal diameter

2) Nominal pressure rating in bar

Other pipe diameters or nominal sizes on request

Logo	Description	Country
	EAC (option) <ul style="list-style-type: none"> ■ Import certificate ■ Pressure equipment directive 	Eurasian Economic Community

Certificates (option)

- 2.2 test report per EN 10204 (e.g. state-of-the-art manufacturing, material proof, indication accuracy)
- 3.1 inspection certificate per EN 10204 (e.g. material proof for wetted metallic parts, indication accuracy, calibration certificate)

Ordering information

Model / Process connection / Nominal width or radius

© 05/1994 WIKA Alexander Wiegand SE & Co. KG, all rights reserved.
The specifications given in this document represent the state of engineering at the time of publishing.
We reserve the right to make modifications to the specifications and materials.

